



US 20100308160A1

(19) **United States**

(12) **Patent Application Publication**
Keennon et al.

(10) **Pub. No.: US 2010/0308160 A1**

(43) **Pub. Date: Dec. 9, 2010**

(54) **AIR VEHICLE FLIGHT MECHANISM AND CONTROL METHOD**

Related U.S. Application Data

(76) Inventors: **Matthew Todd Keennon**, Simi Valley, CA (US); **Karl Robert Klingebiel**, Simi Valley, CA (US); **Alexander Andryukov**, Simi Valley, CA (US); **Bart Dean Hibbs**, Simi Valley, CA (US); **John Peter Zwaan**, Simi Valley, CA (US)

(63) Continuation-in-part of application No. PCT/US10/37540, filed on Jun. 4, 2010.

(60) Provisional application No. 61/184,748, filed on Jun. 5, 2009.

Publication Classification

(51) **Int. Cl.**
B64C 33/02 (2006.01)
B64C 3/00 (2006.01)

(52) **U.S. Cl.** **244/22; 244/35 R**

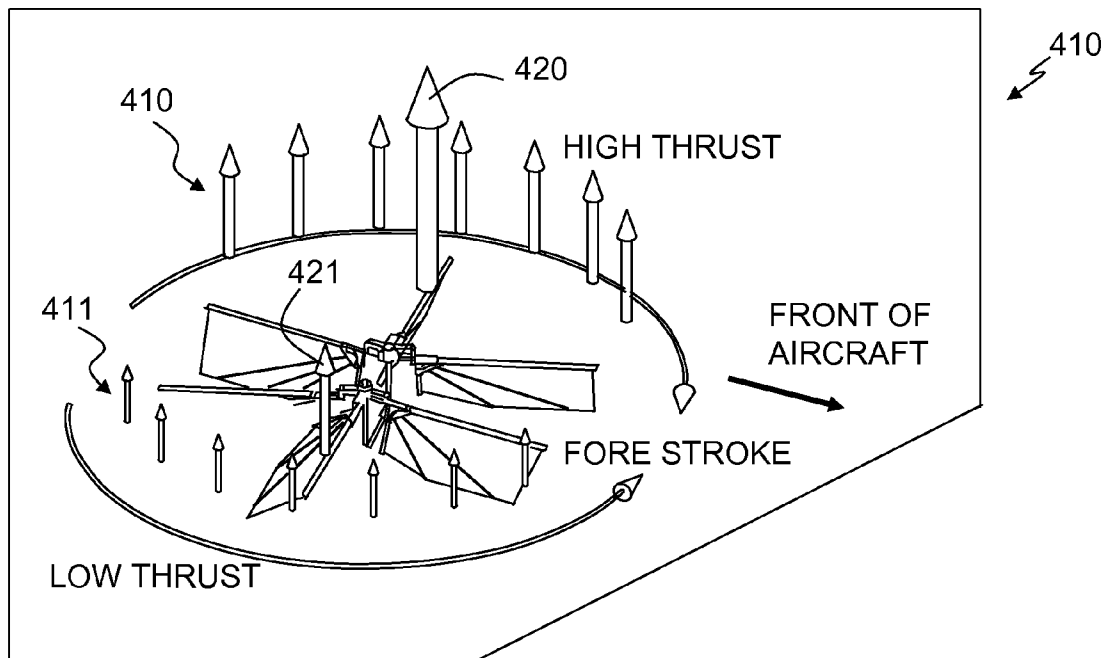
(57) **ABSTRACT**

Heavier-than-air, aircraft having flapping wings, e.g., ornithopters, where angular orientation control is effected by variable differential sweep angles of deflection of the flap-pable wings in the course of sweep angles of travel and/or the control of variable wing membrane tension.

Correspondence Address:
MICHAEL BLAINE BROOKS, P.C.
P.O. BOX 1630
SIMI VALLEY, CA 93062-1630 (US)

(21) Appl. No.: **12/795,539**

(22) Filed: **Jun. 7, 2010**



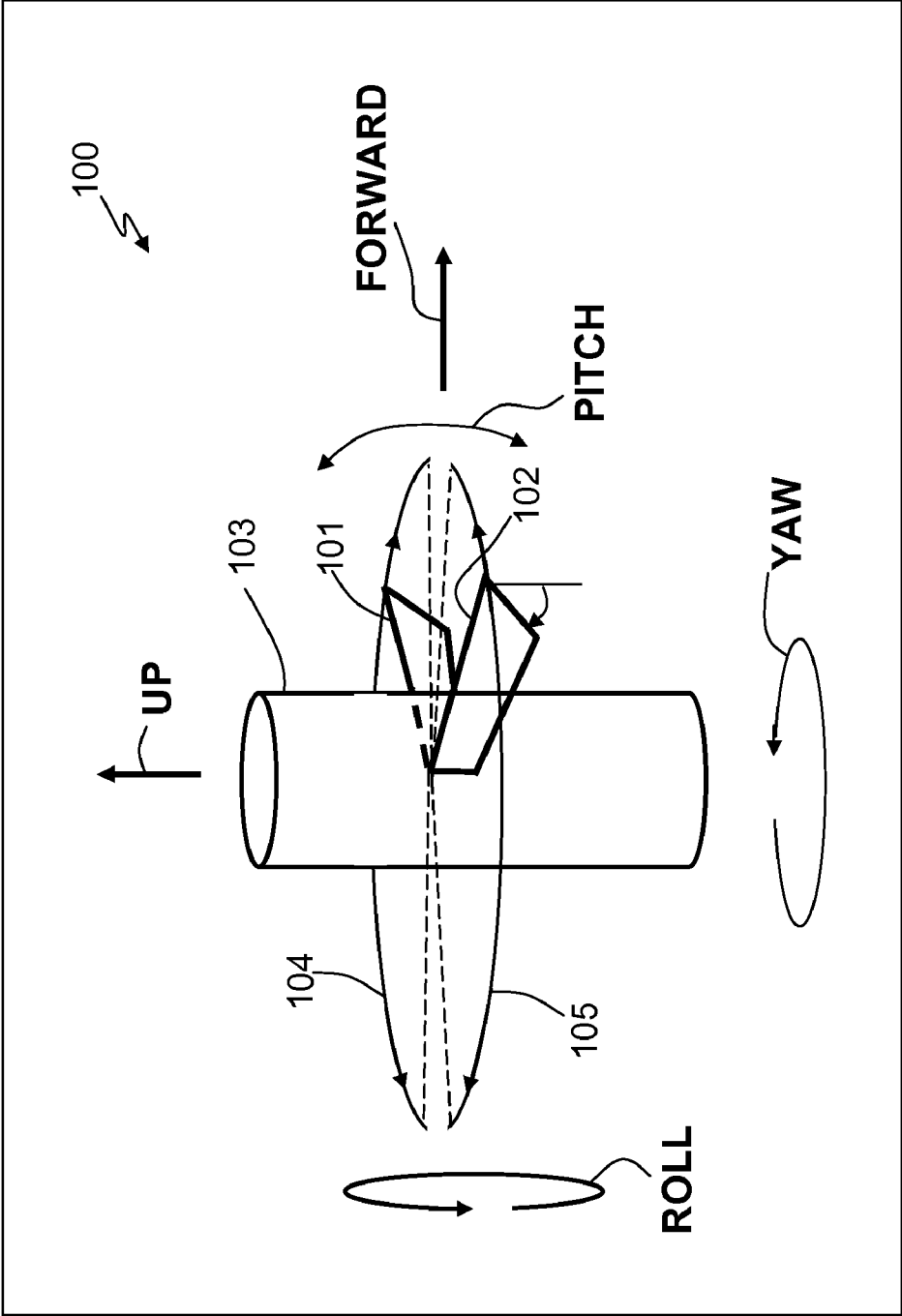


FIG. 1

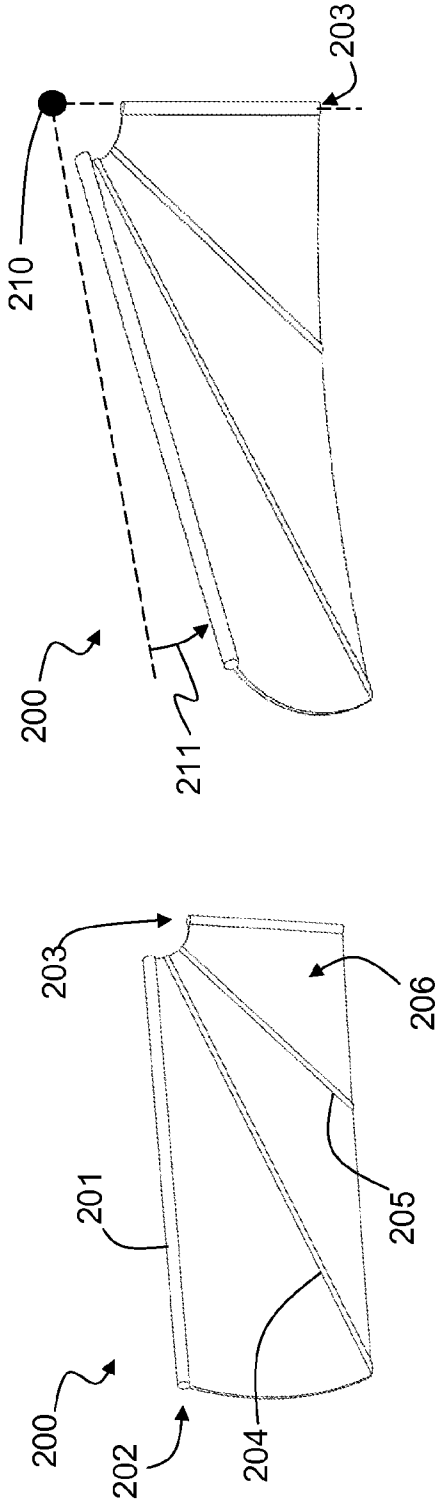


FIG. 2B

FIG. 2A

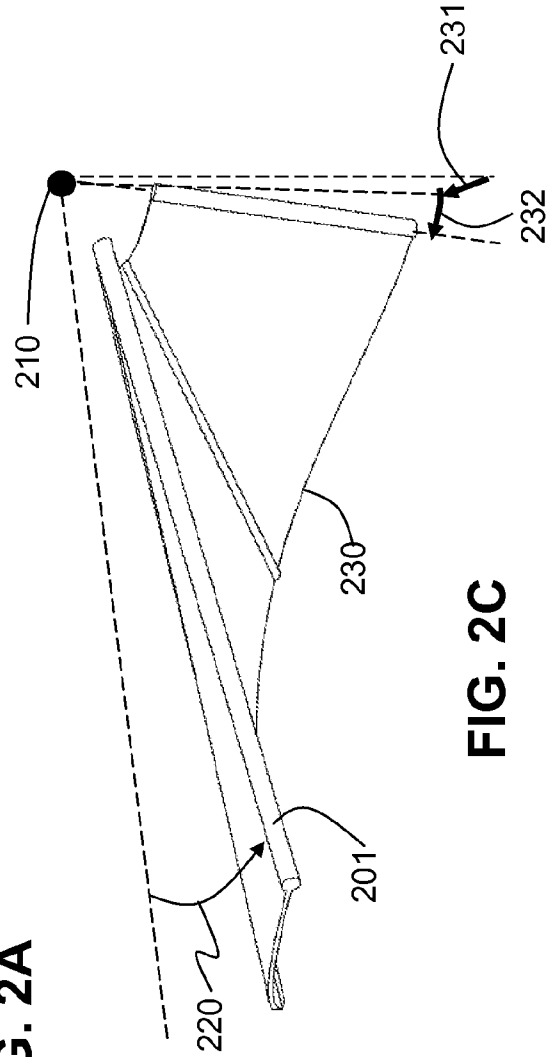
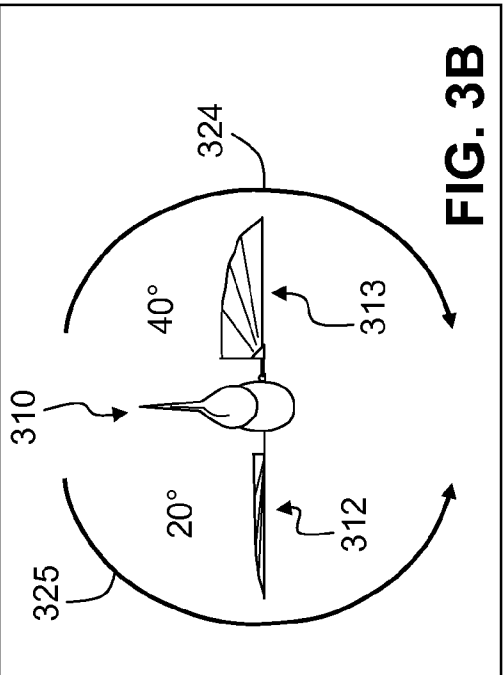
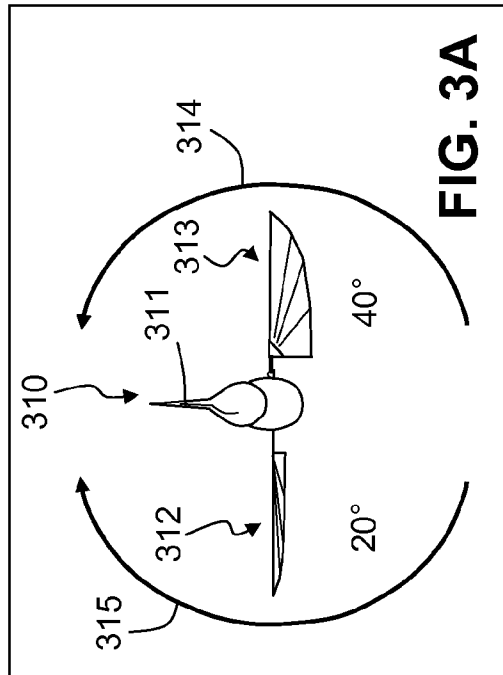
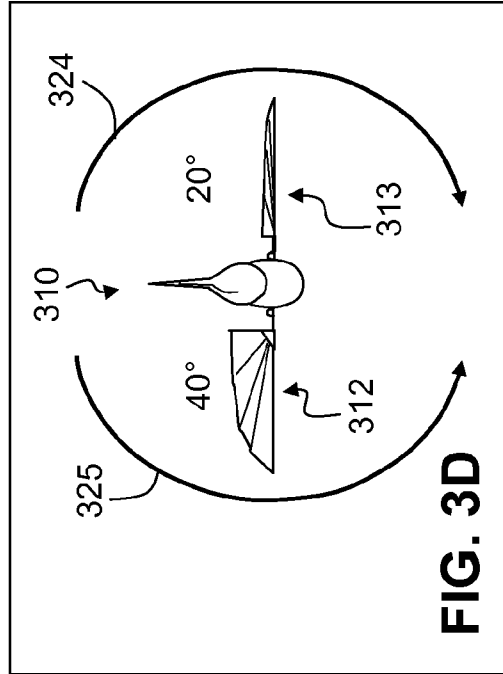
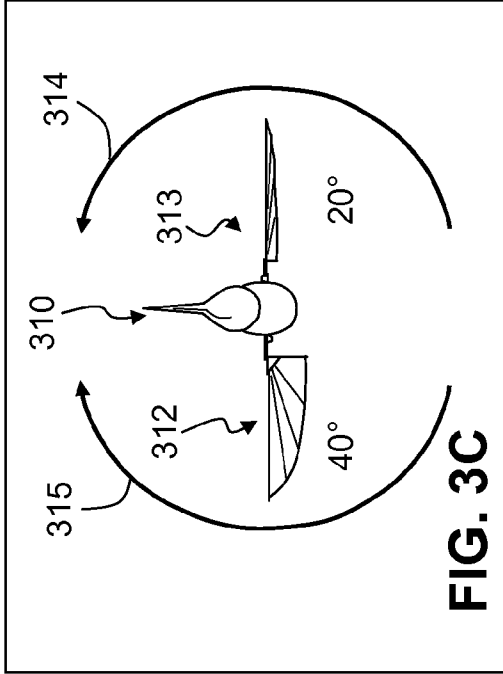


FIG. 2C



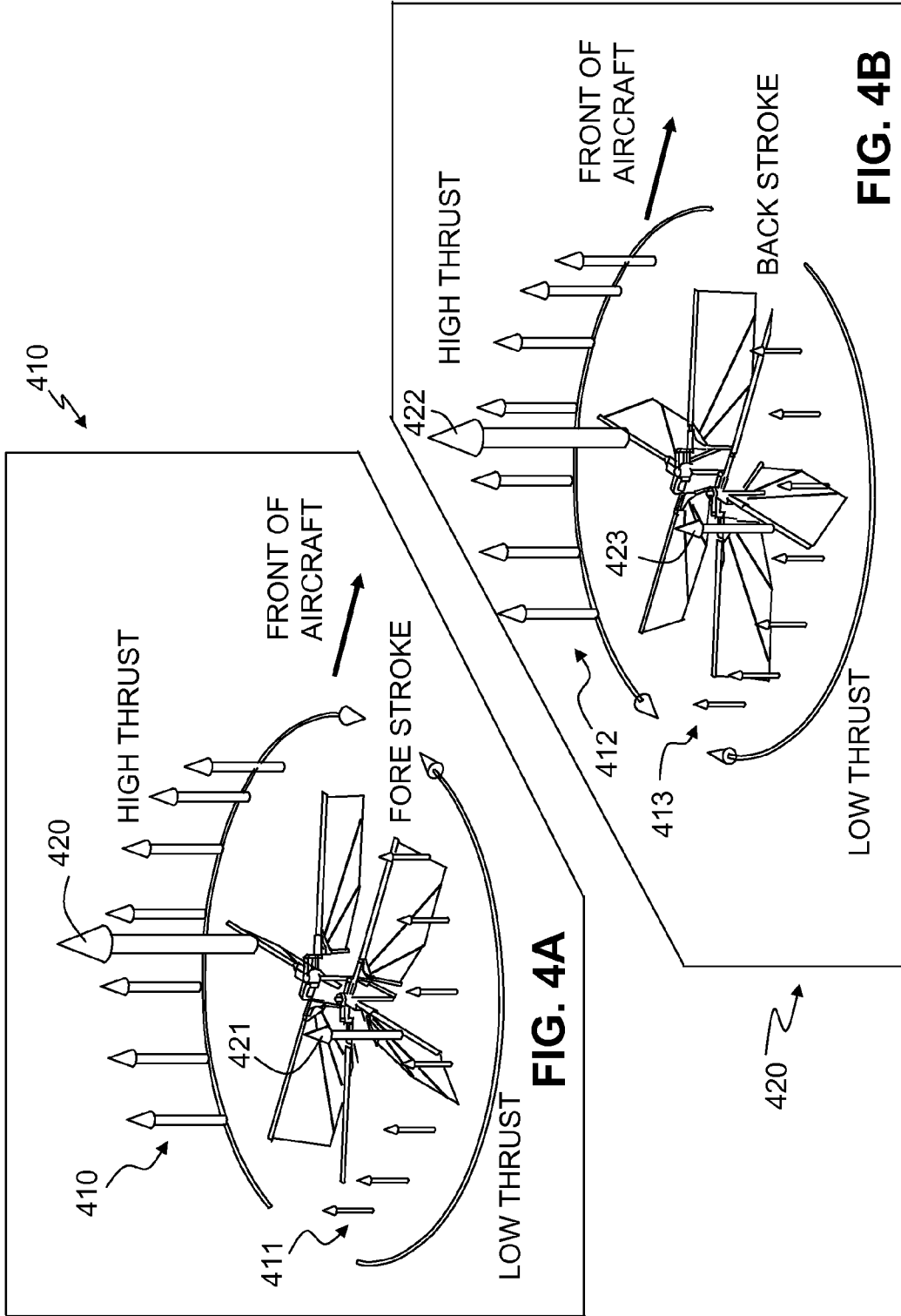


FIG. 4A

FIG. 4B

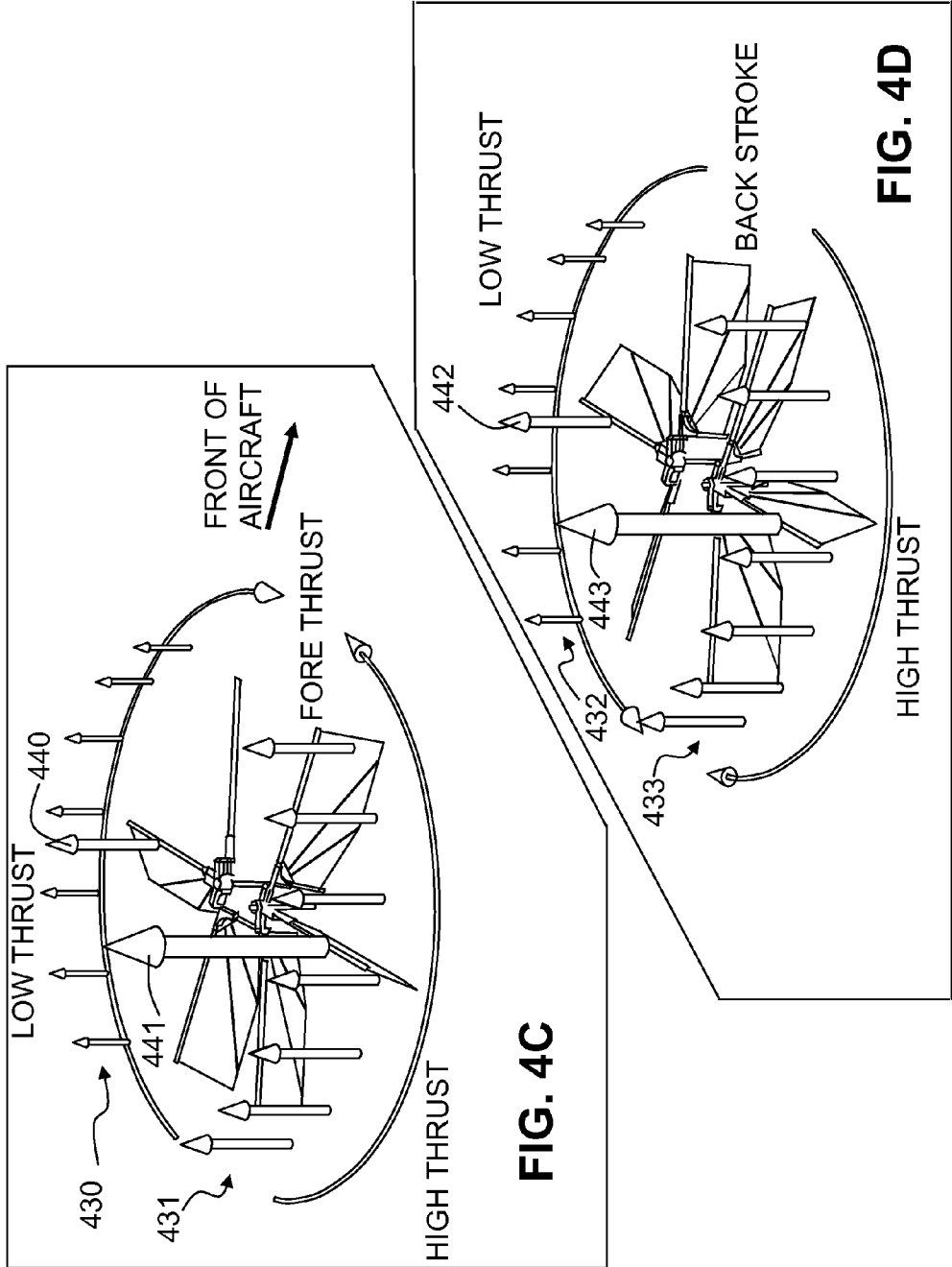
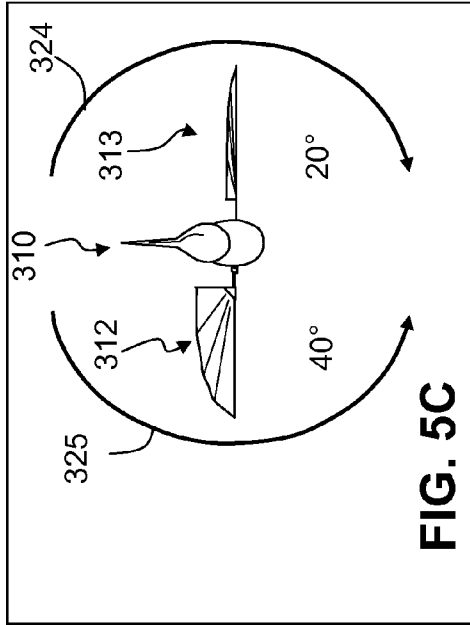
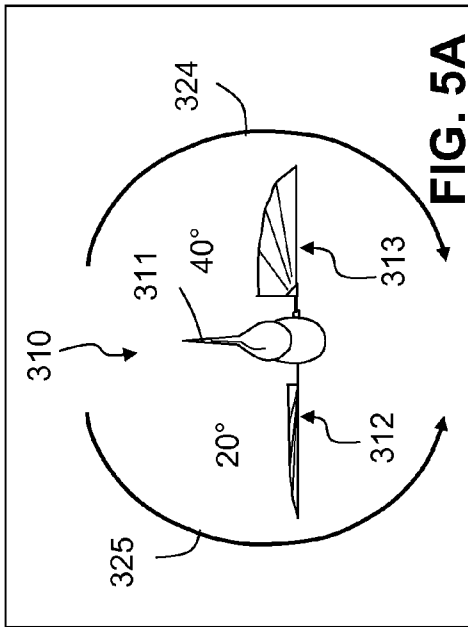


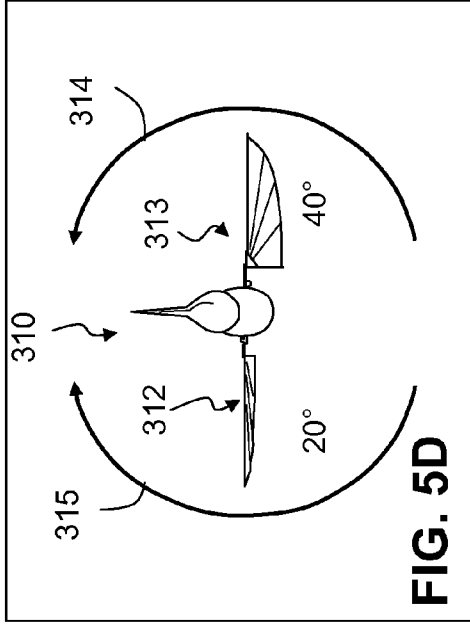
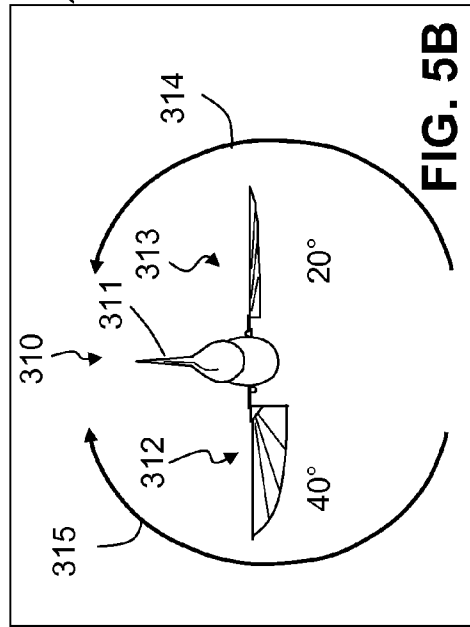
FIG. 4C

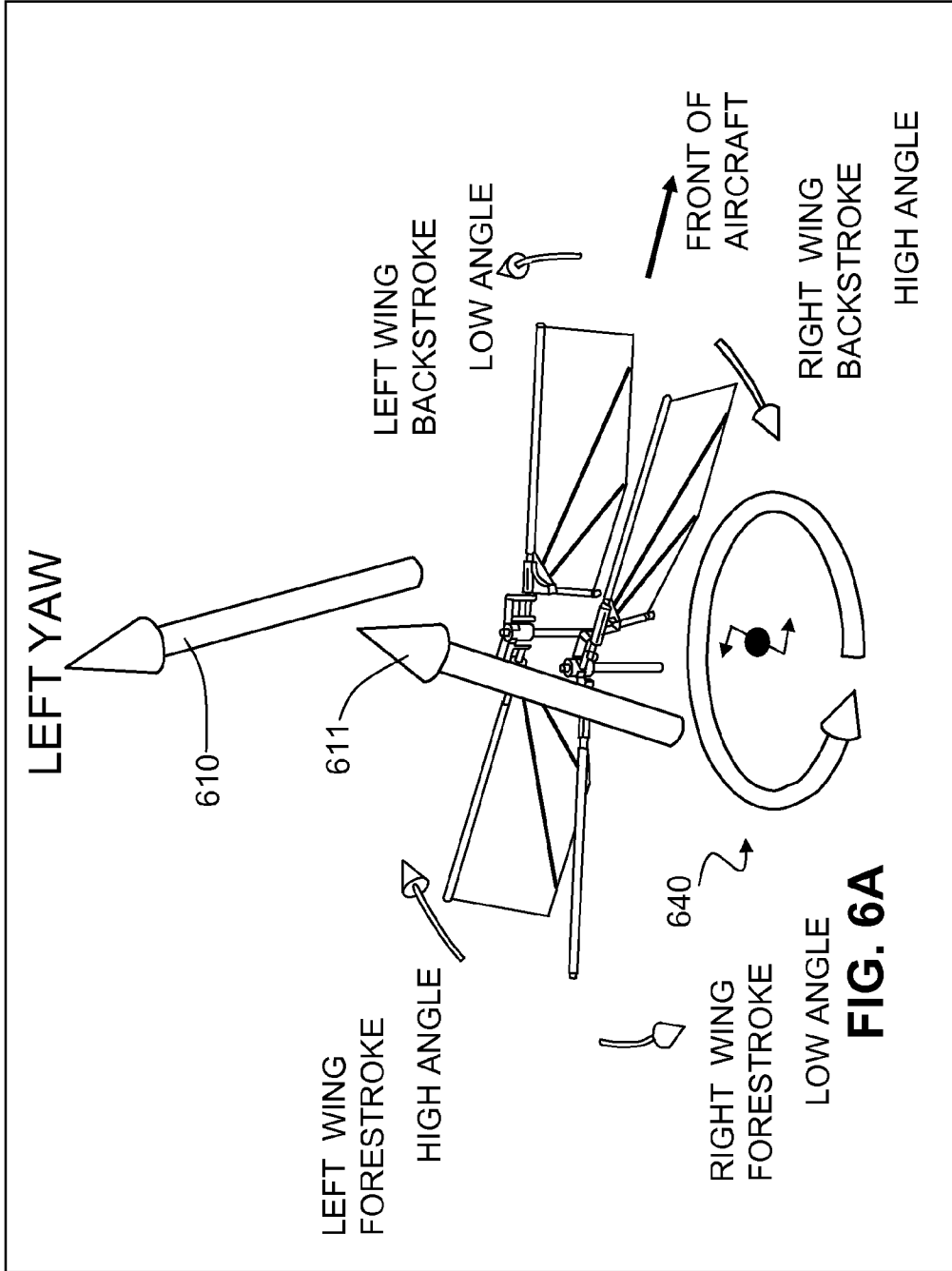
FIG. 4D

510



520





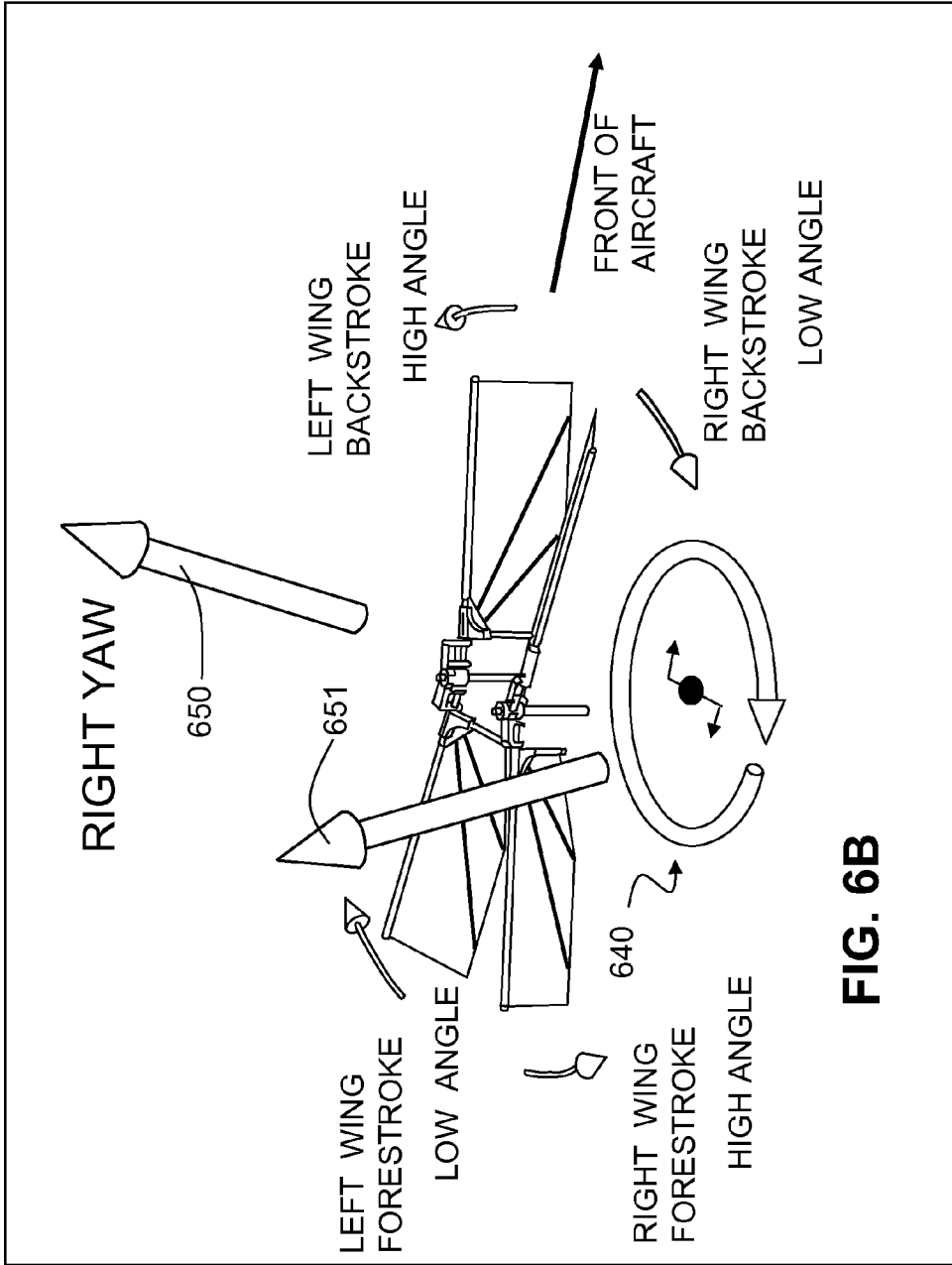
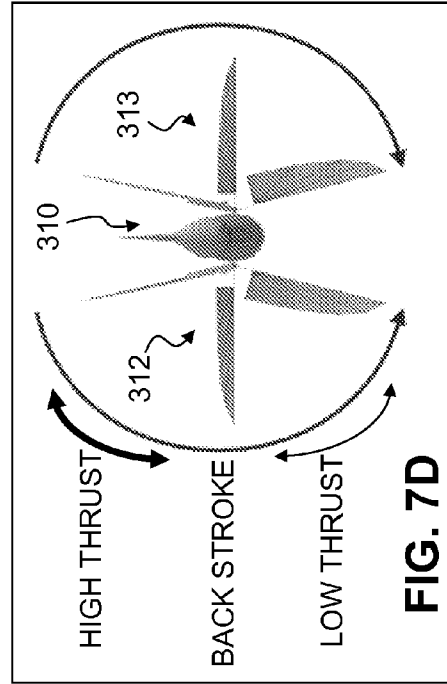
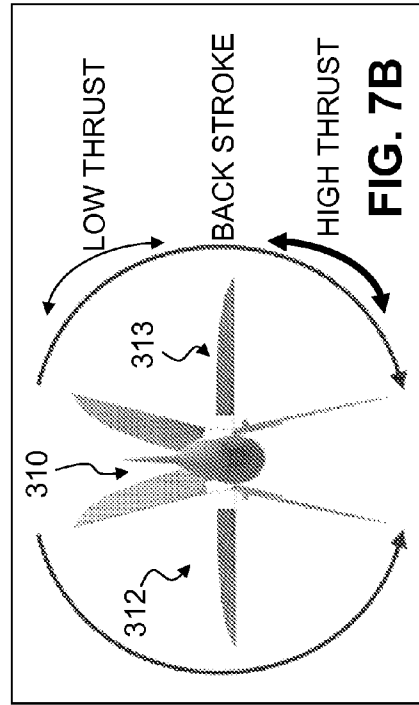
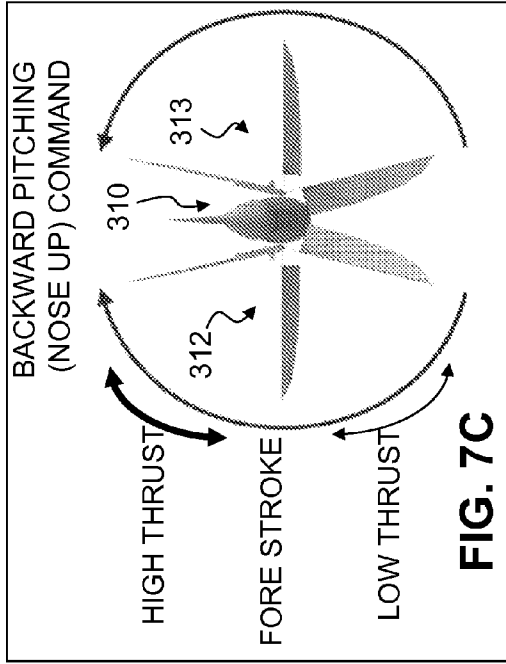
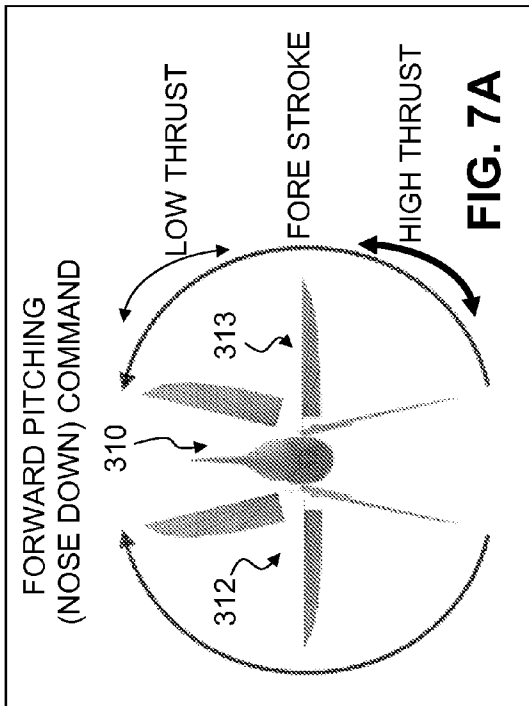
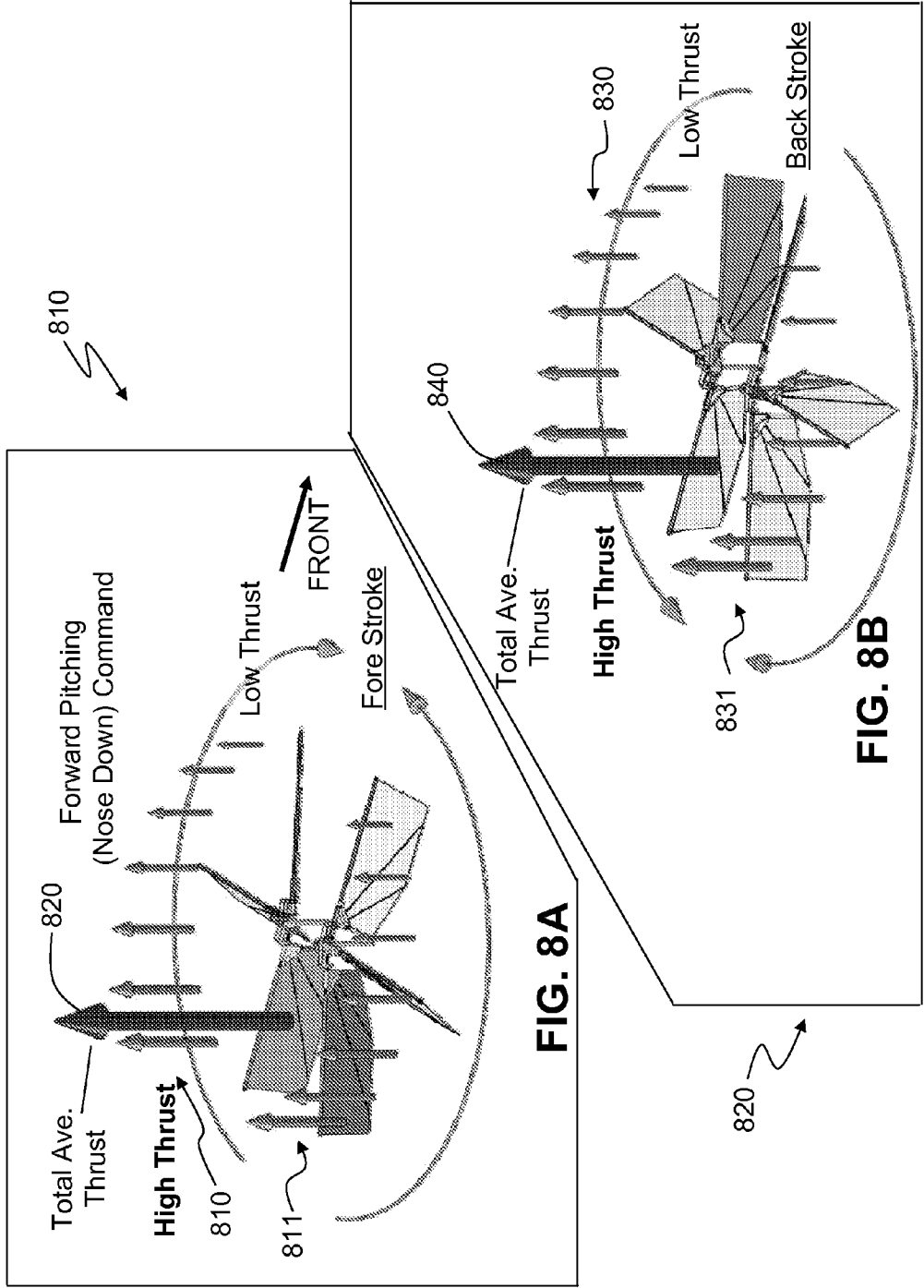
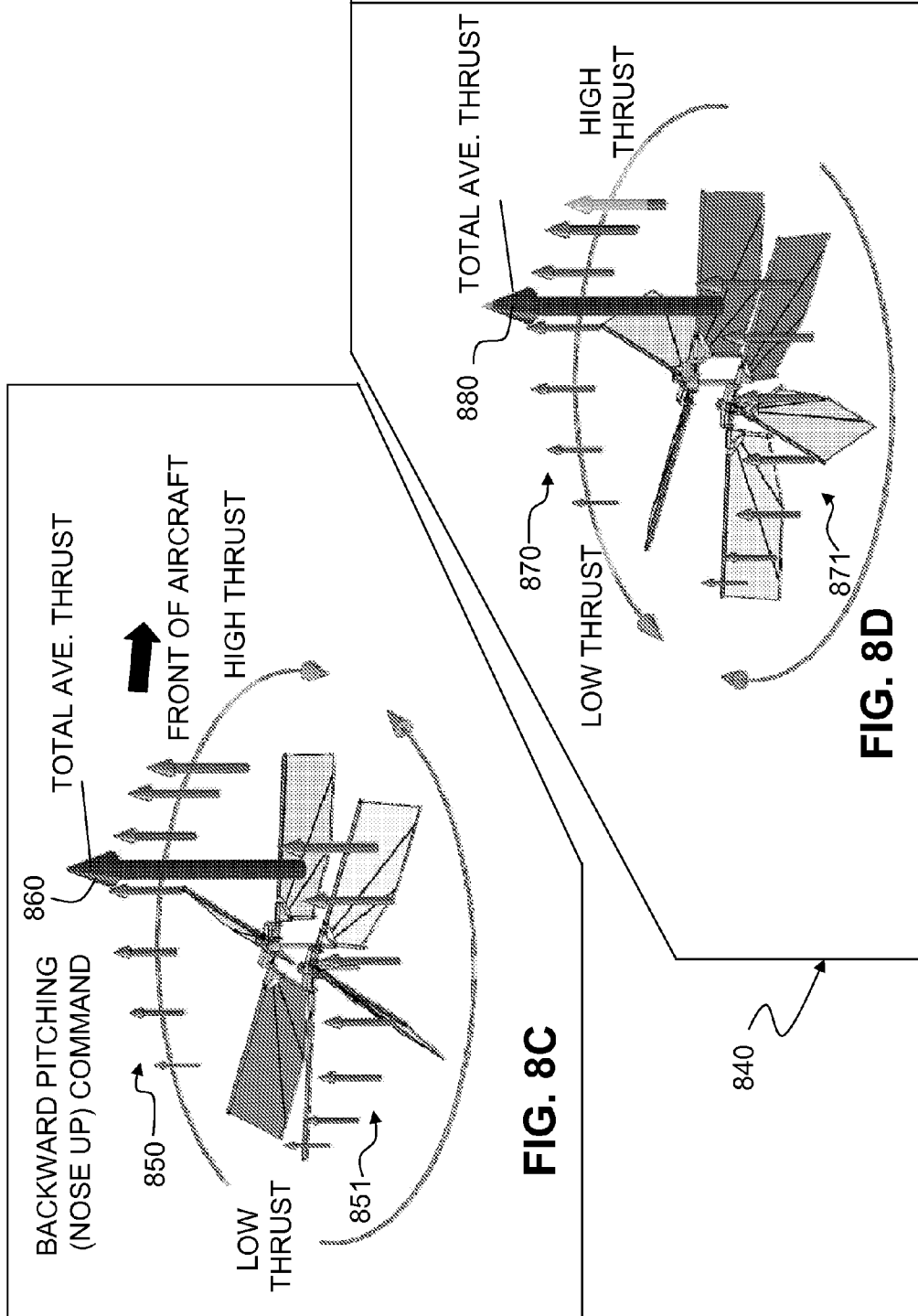


FIG. 6B







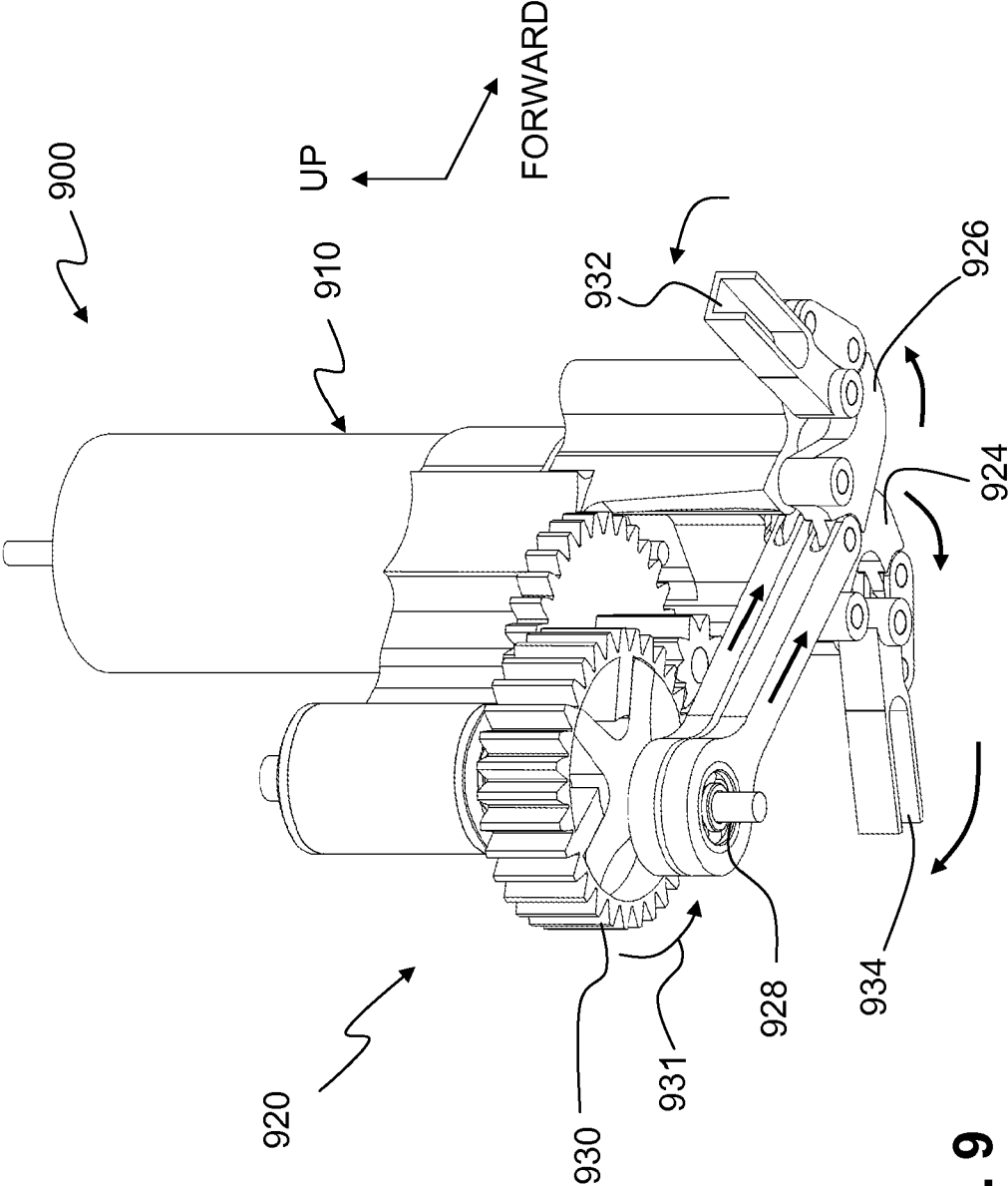


FIG. 9

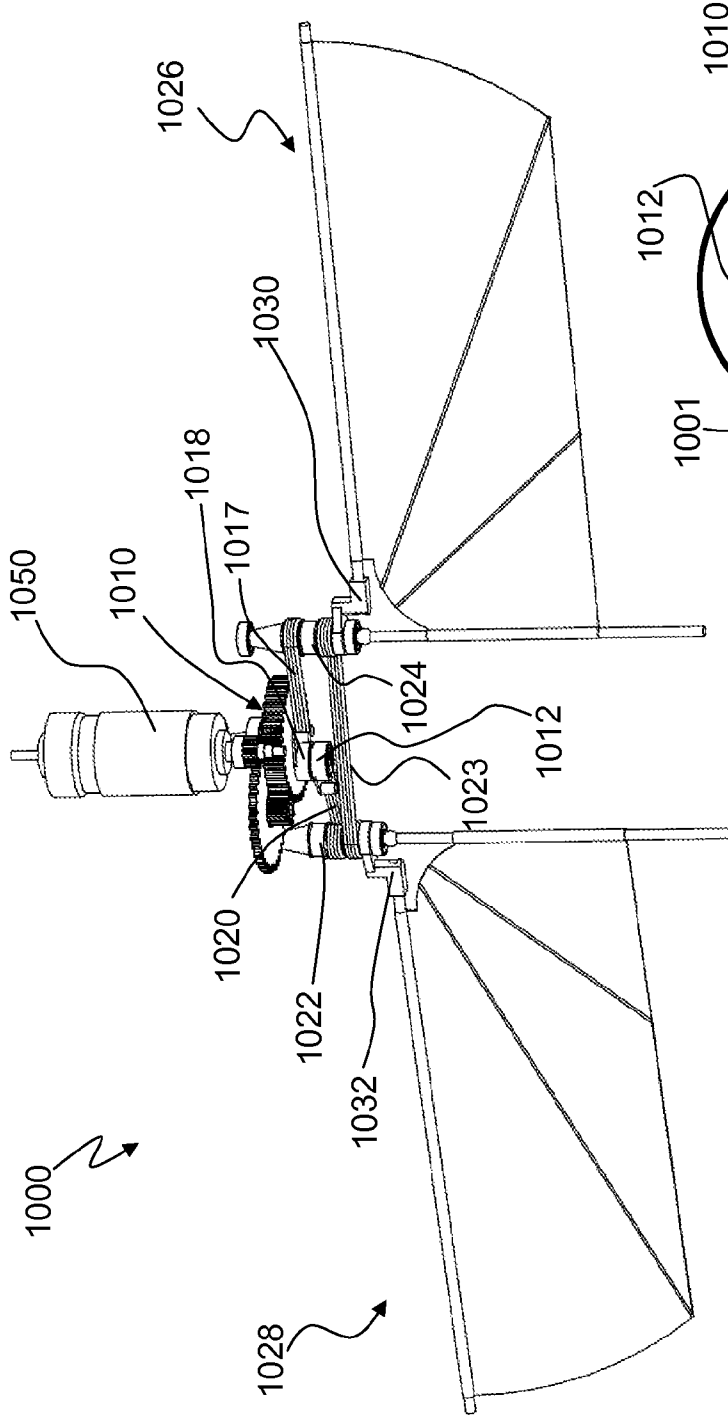


FIG. 10B

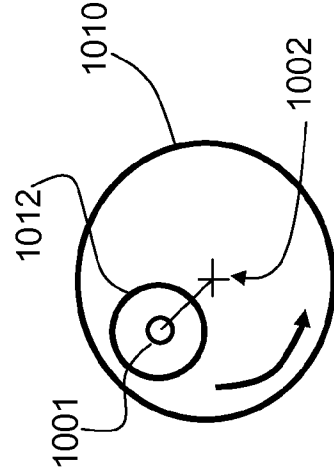


FIG. 10A

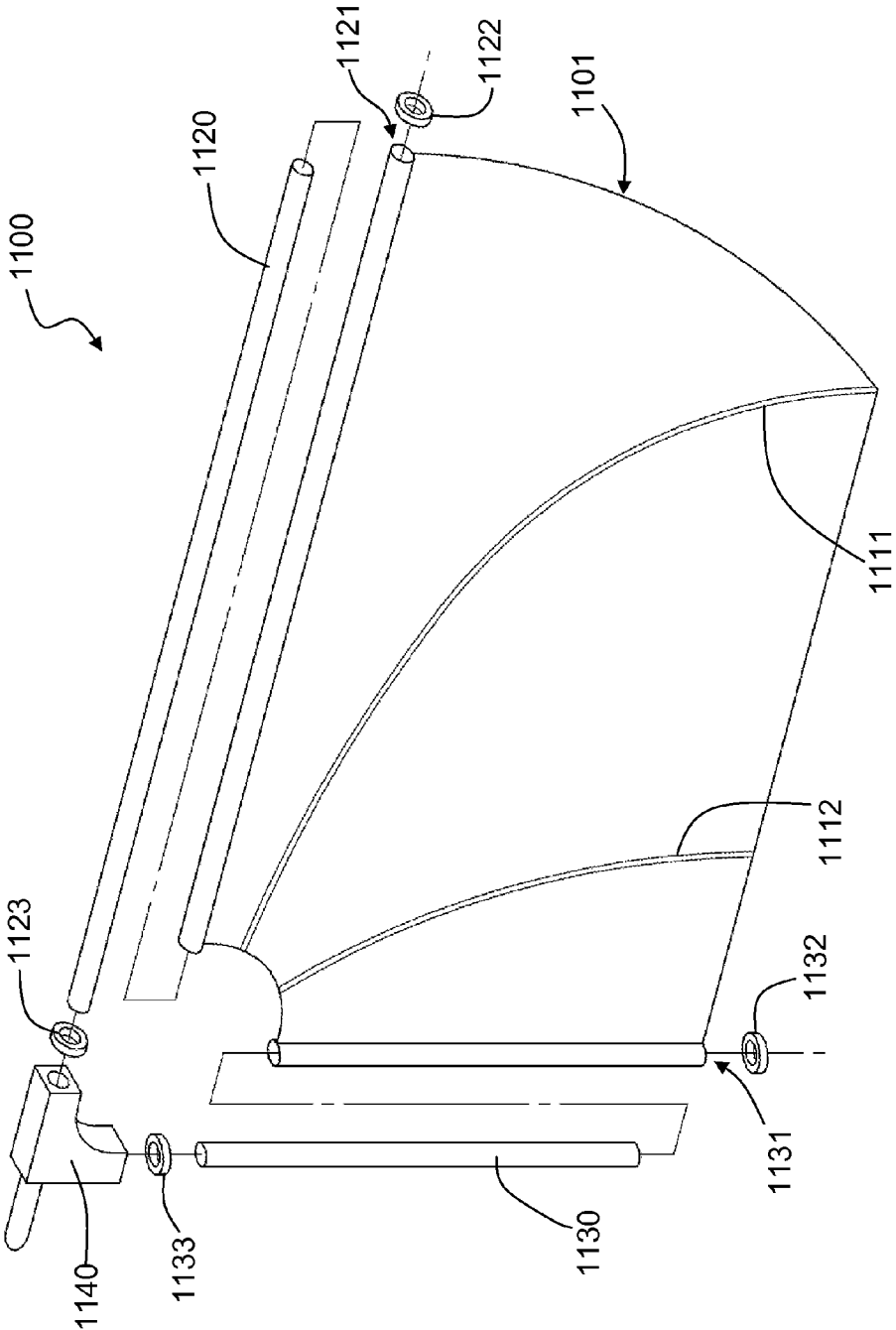


FIG. 11A

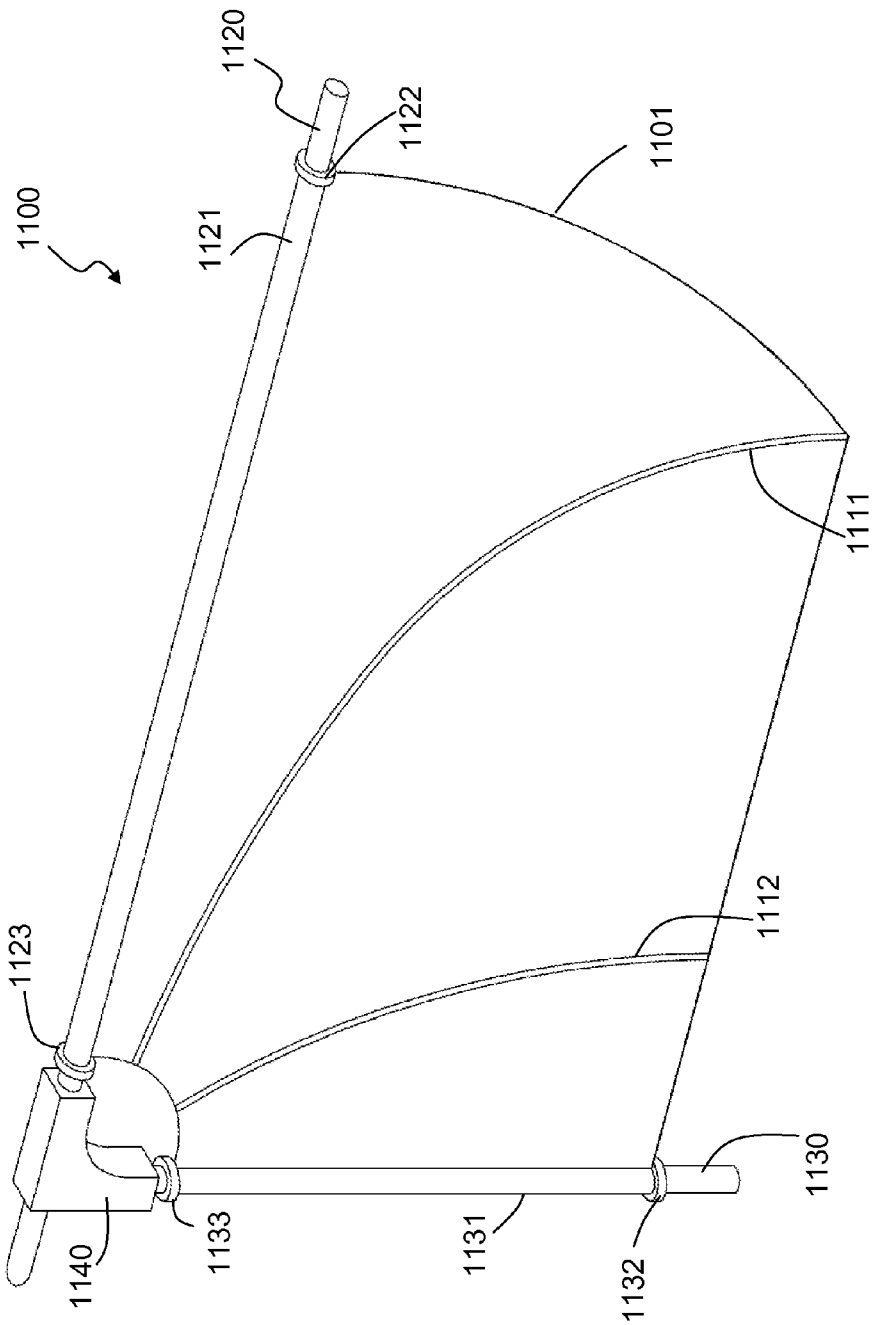


FIG. 11B

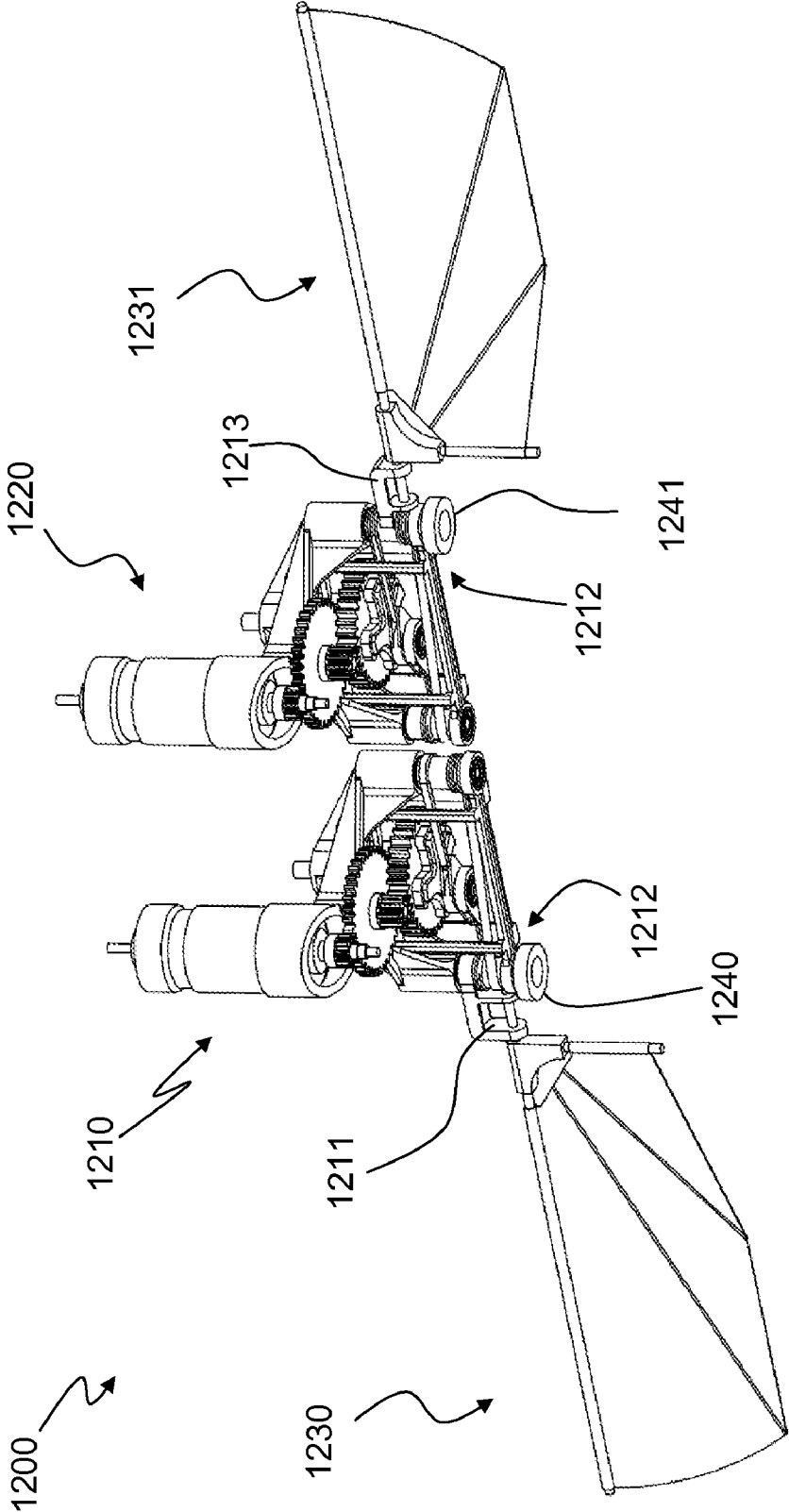


FIG. 12

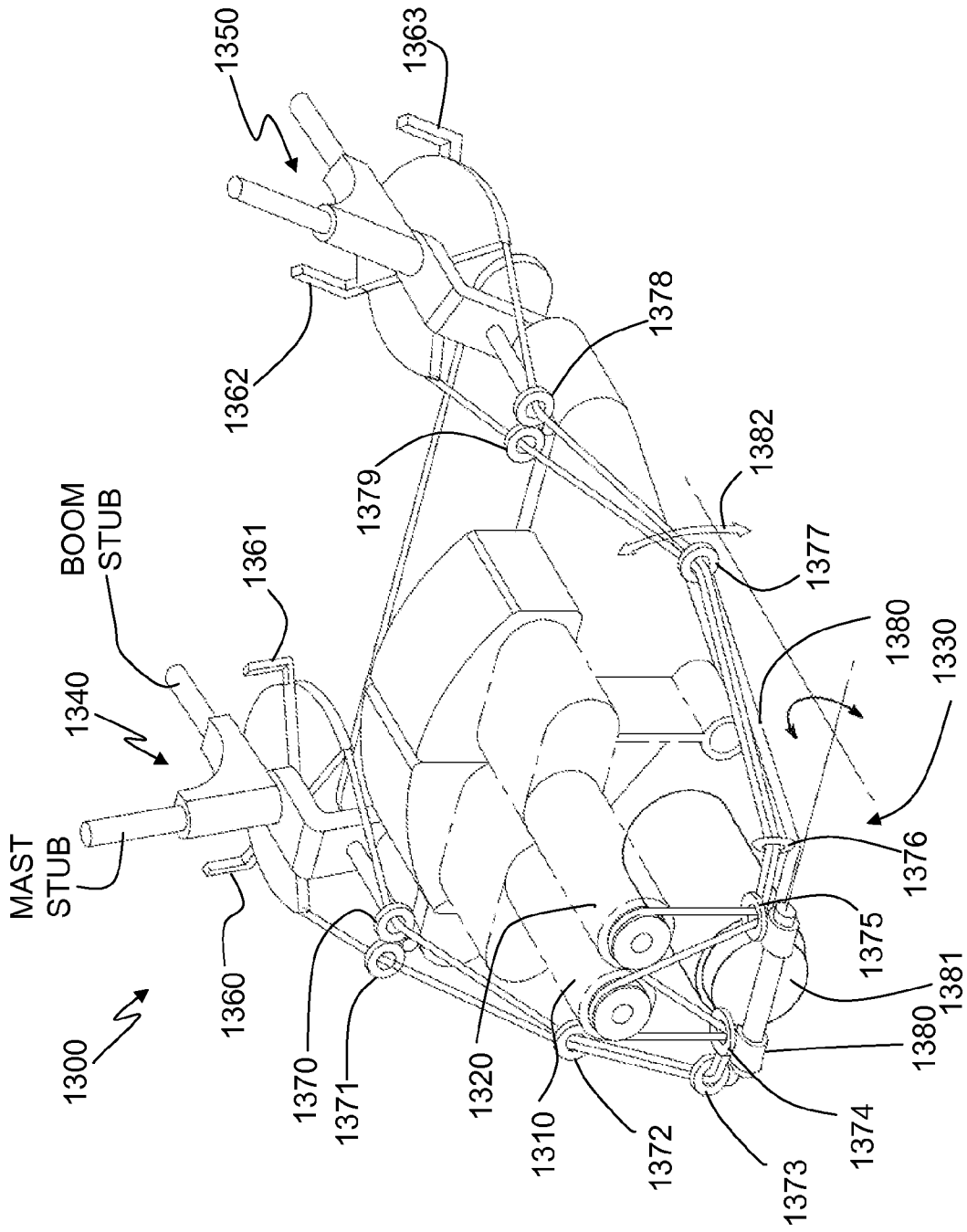


FIG. 13

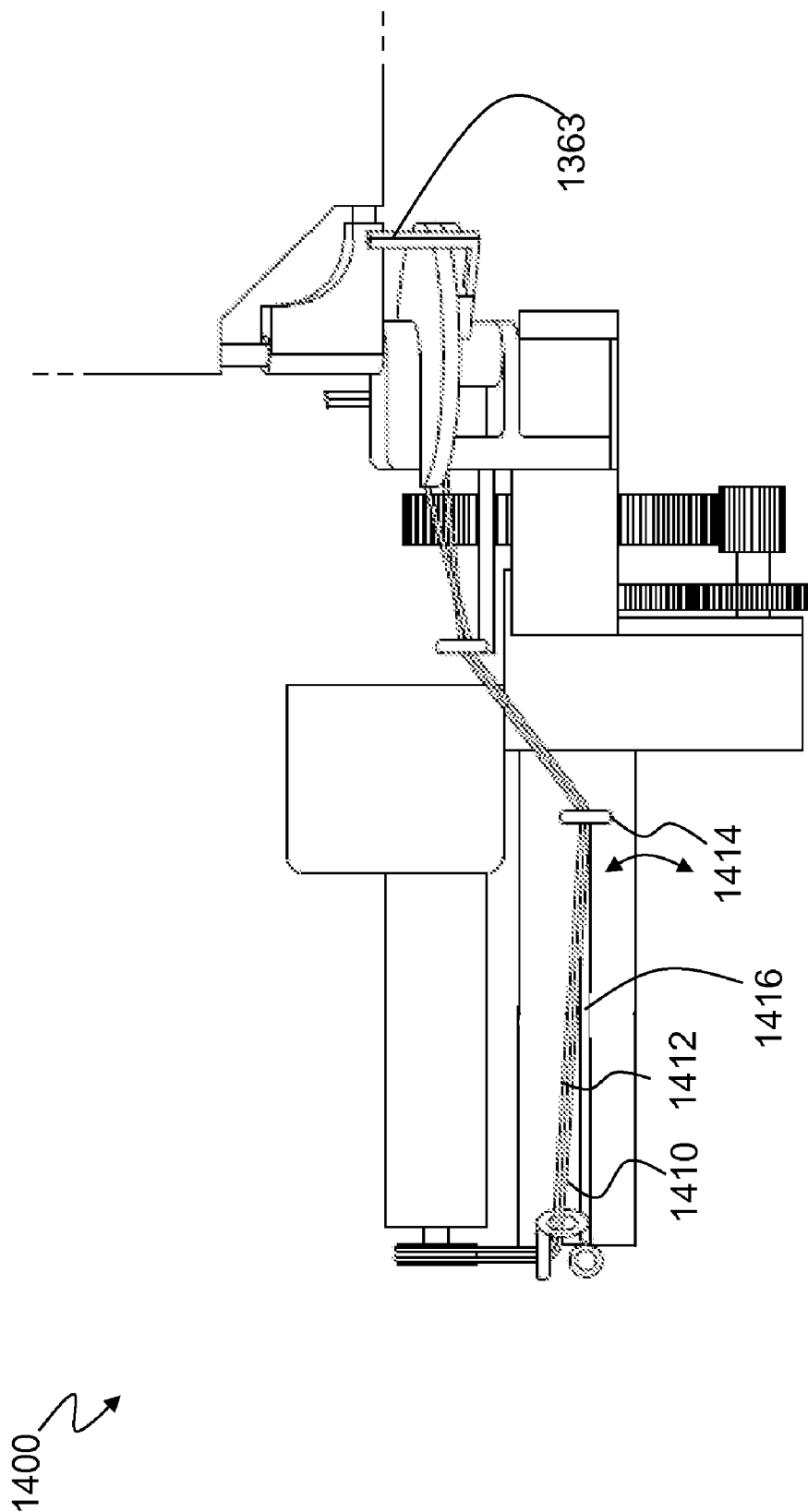


FIG. 14A

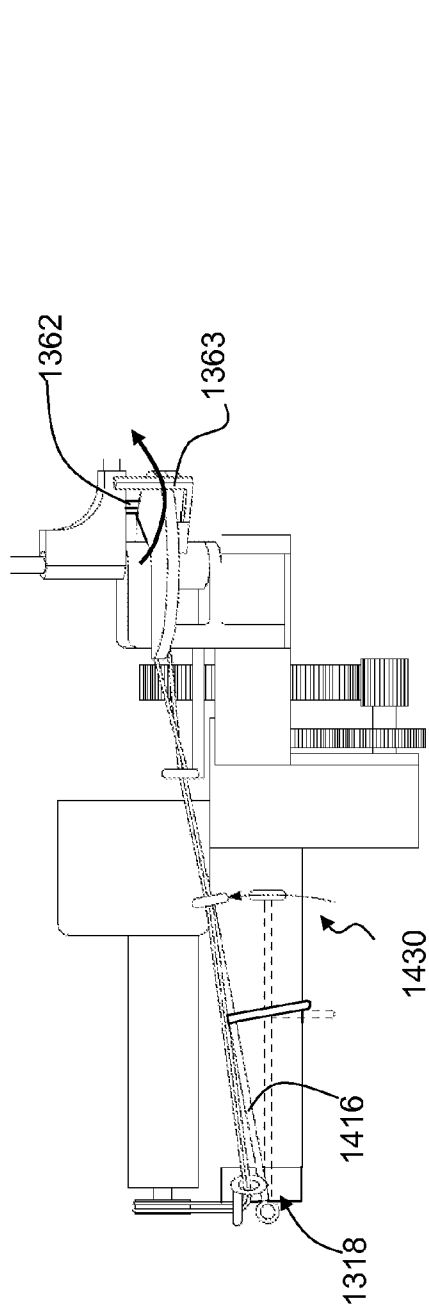


FIG. 14B

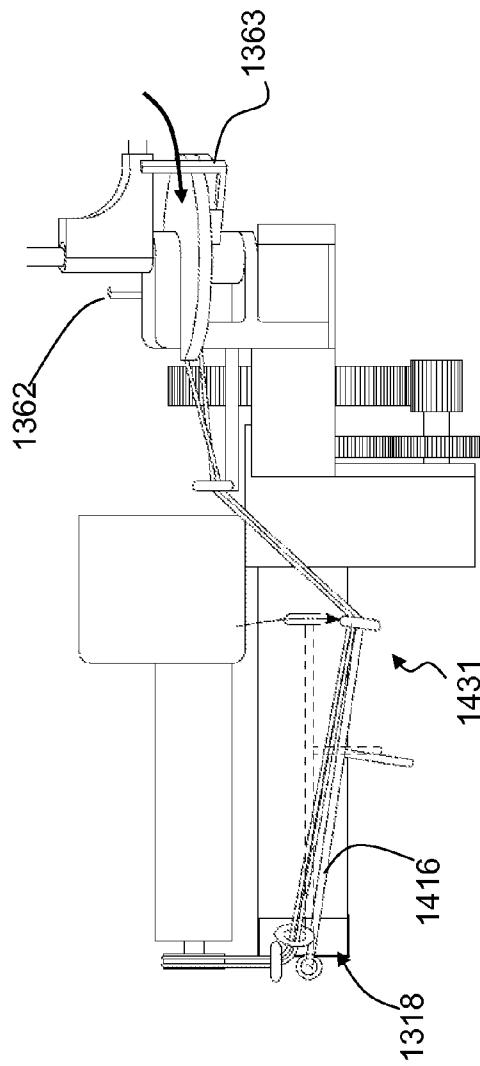


FIG. 14C

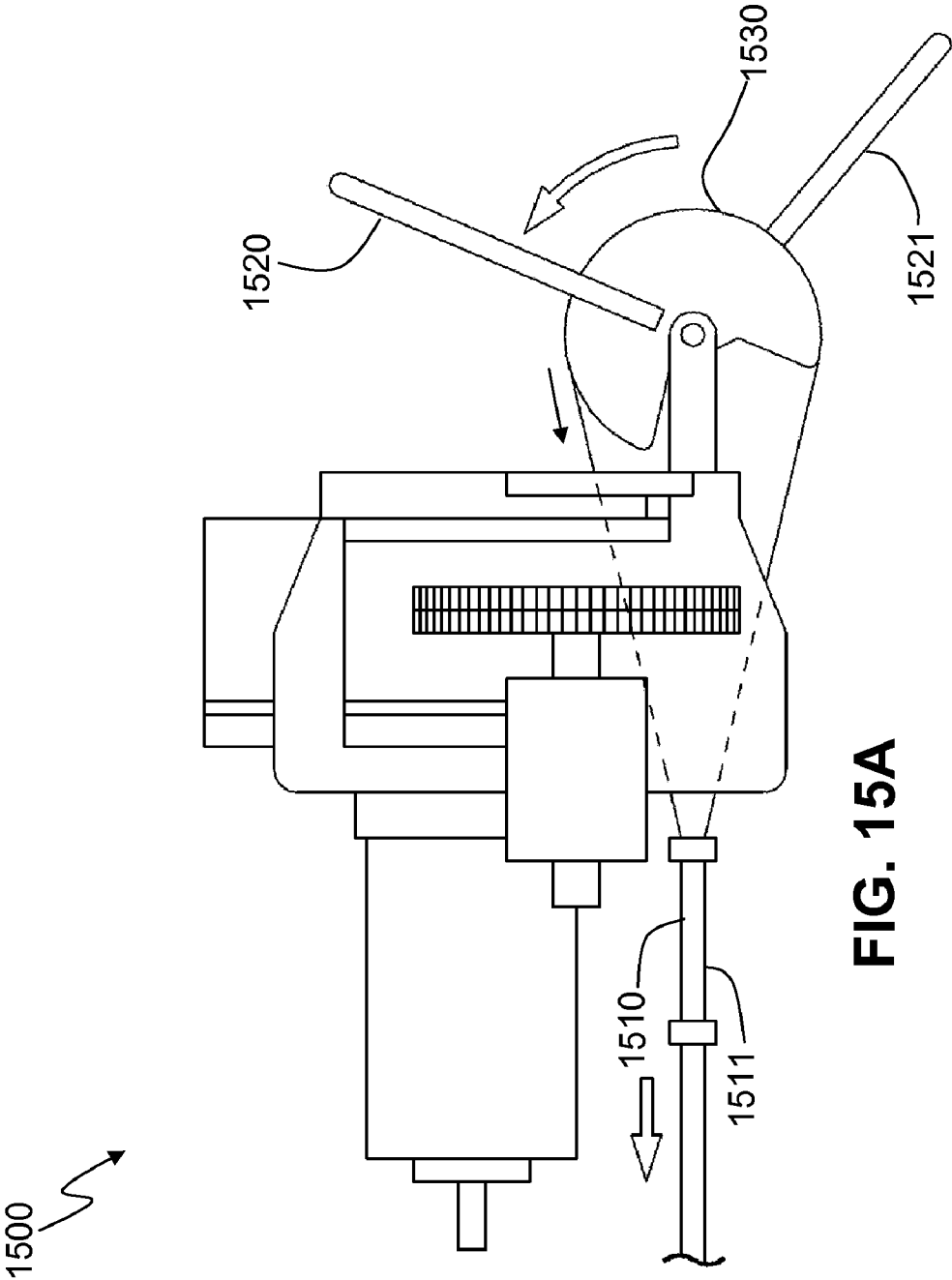


FIG. 15A

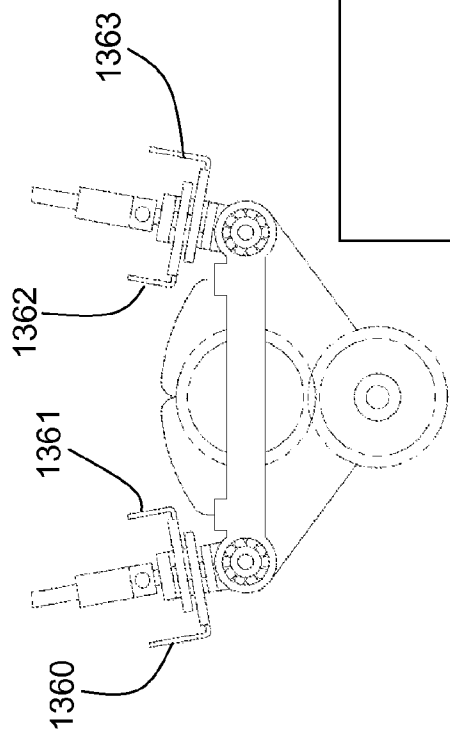


FIG. 15B

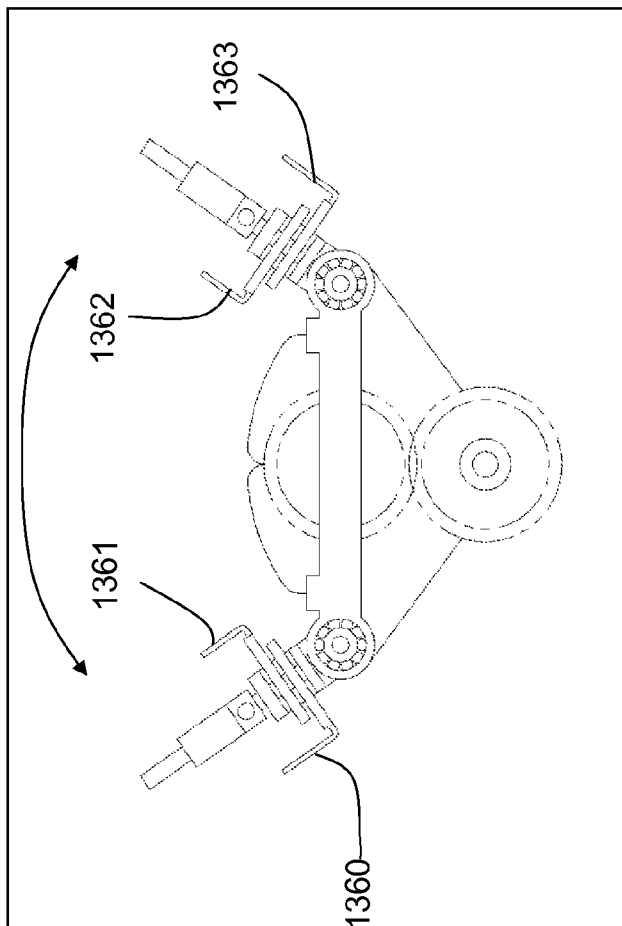


FIG. 15C

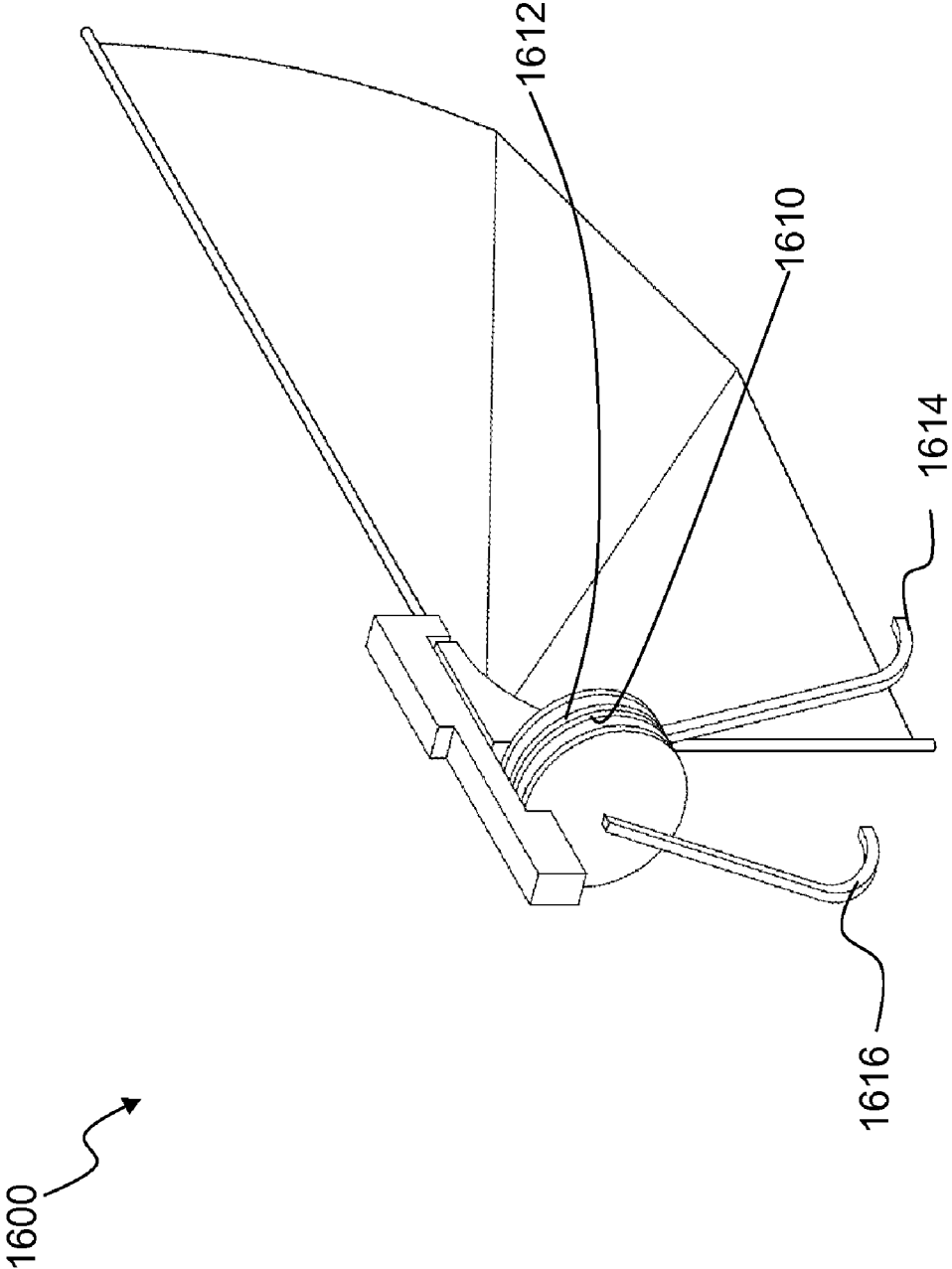


FIG. 16

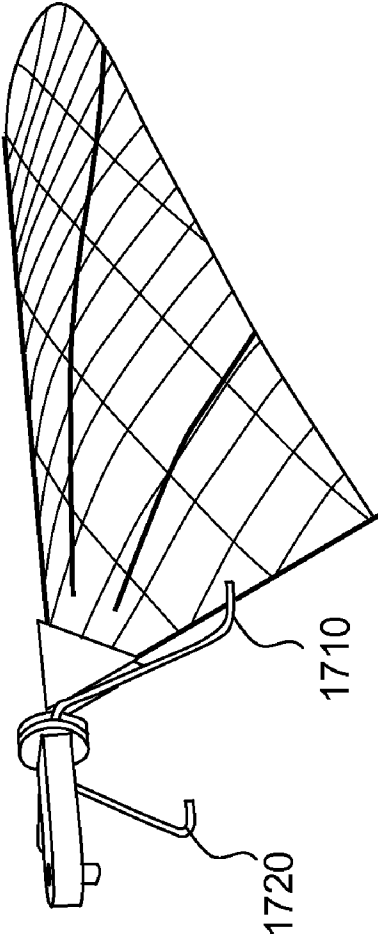


FIG. 17A

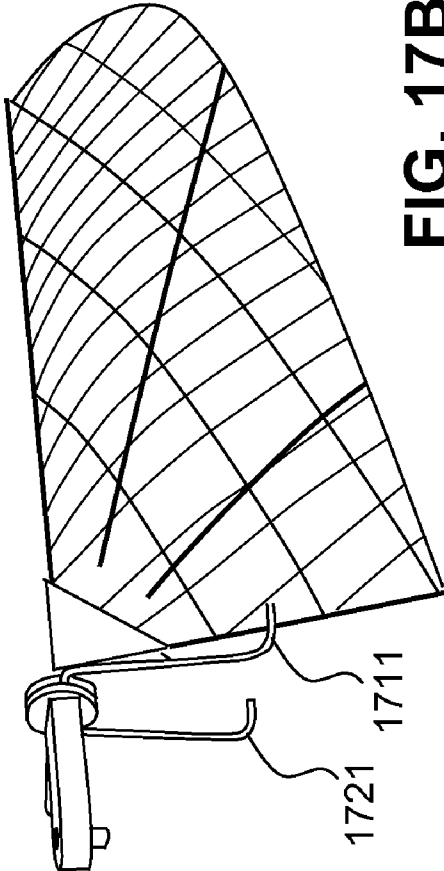


FIG. 17B

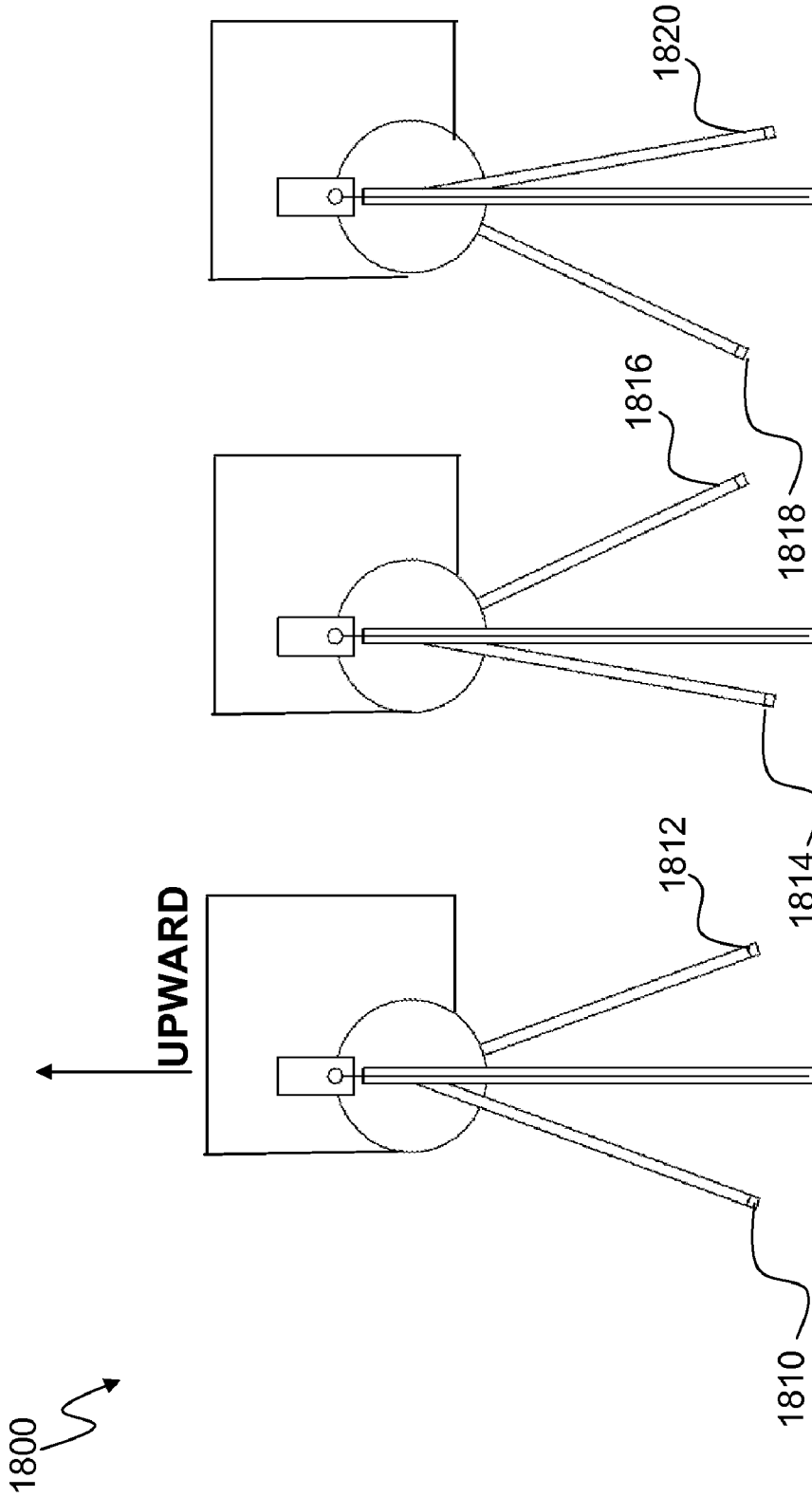


FIG. 18A

FIG. 18B

FIG. 18C

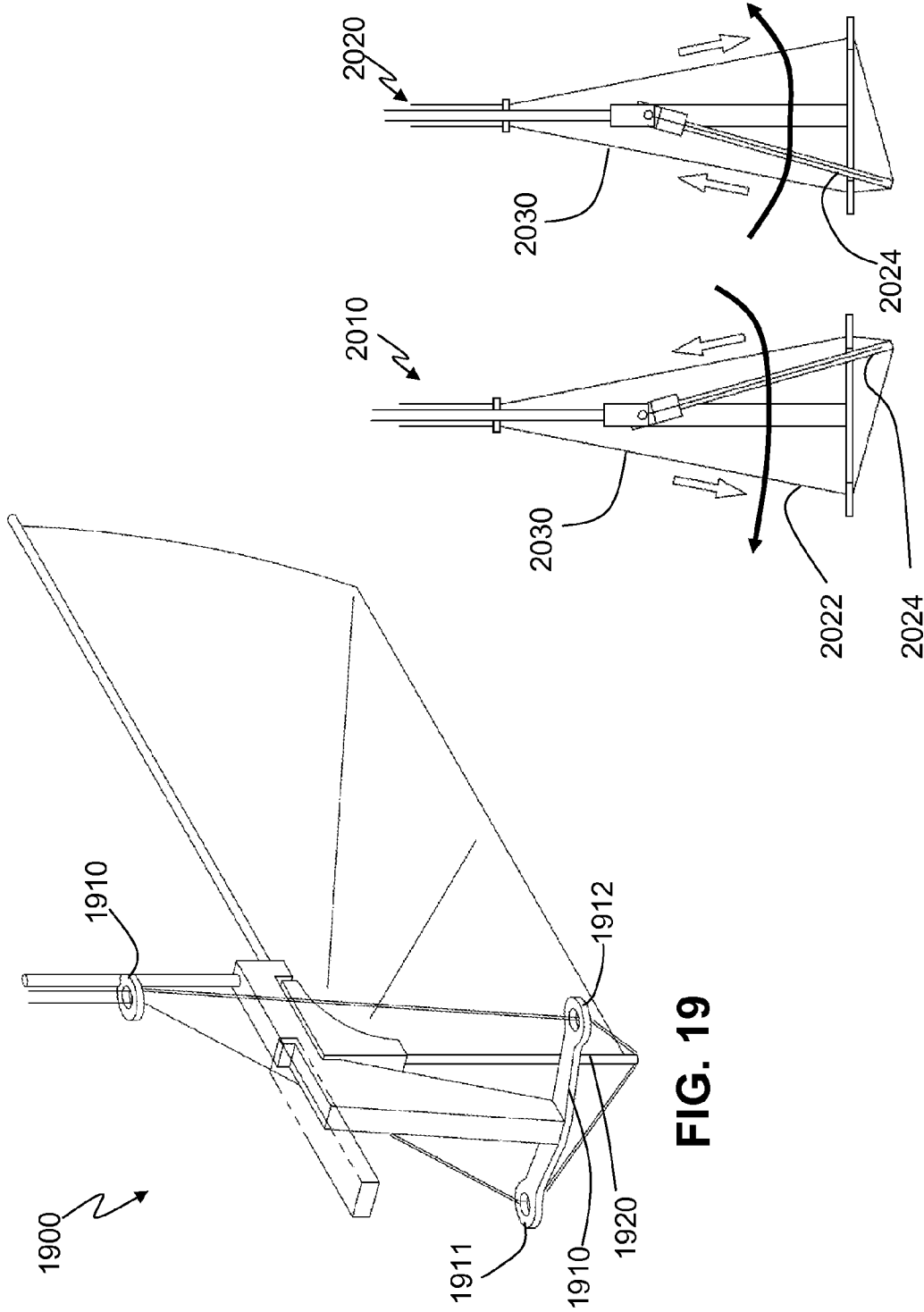


FIG. 19

FIG. 20A

FIG. 20B

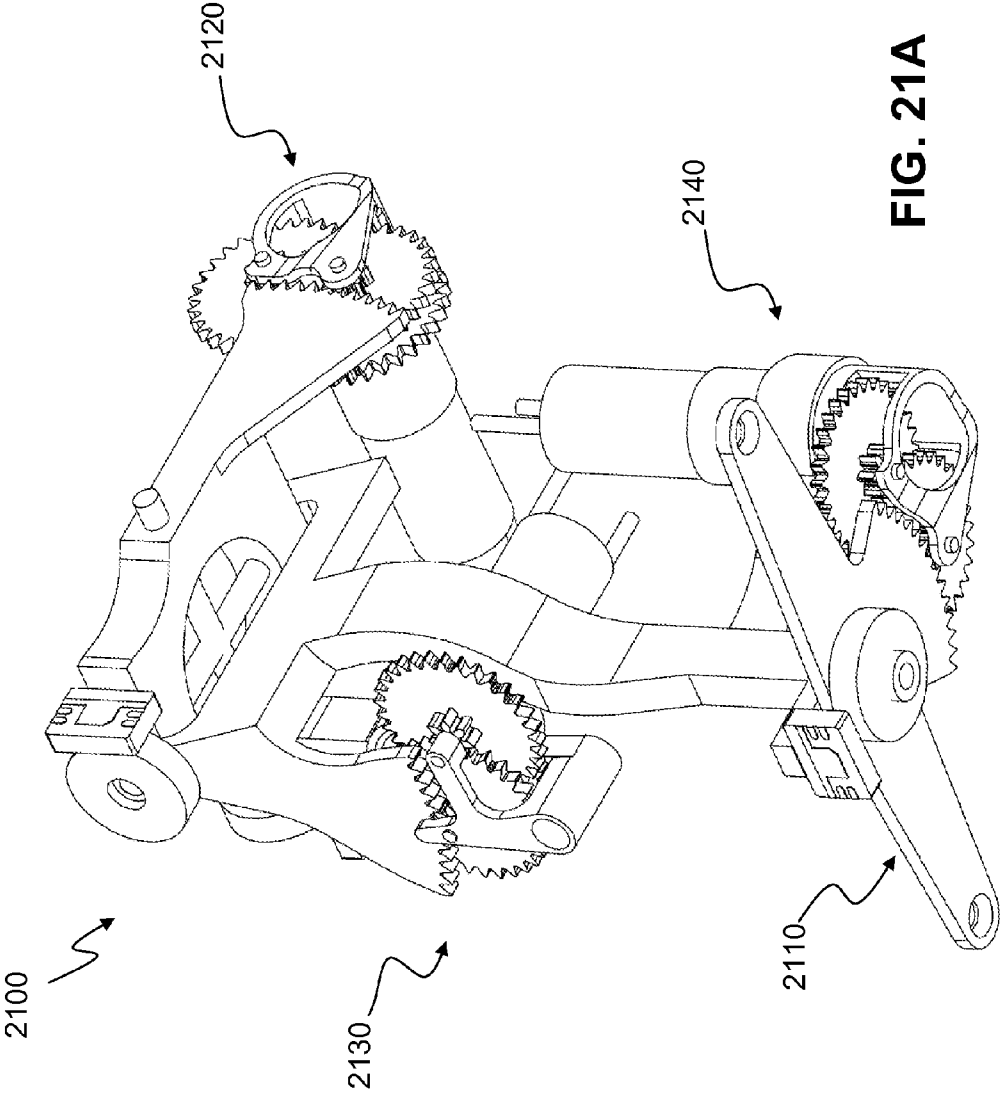


FIG. 21A

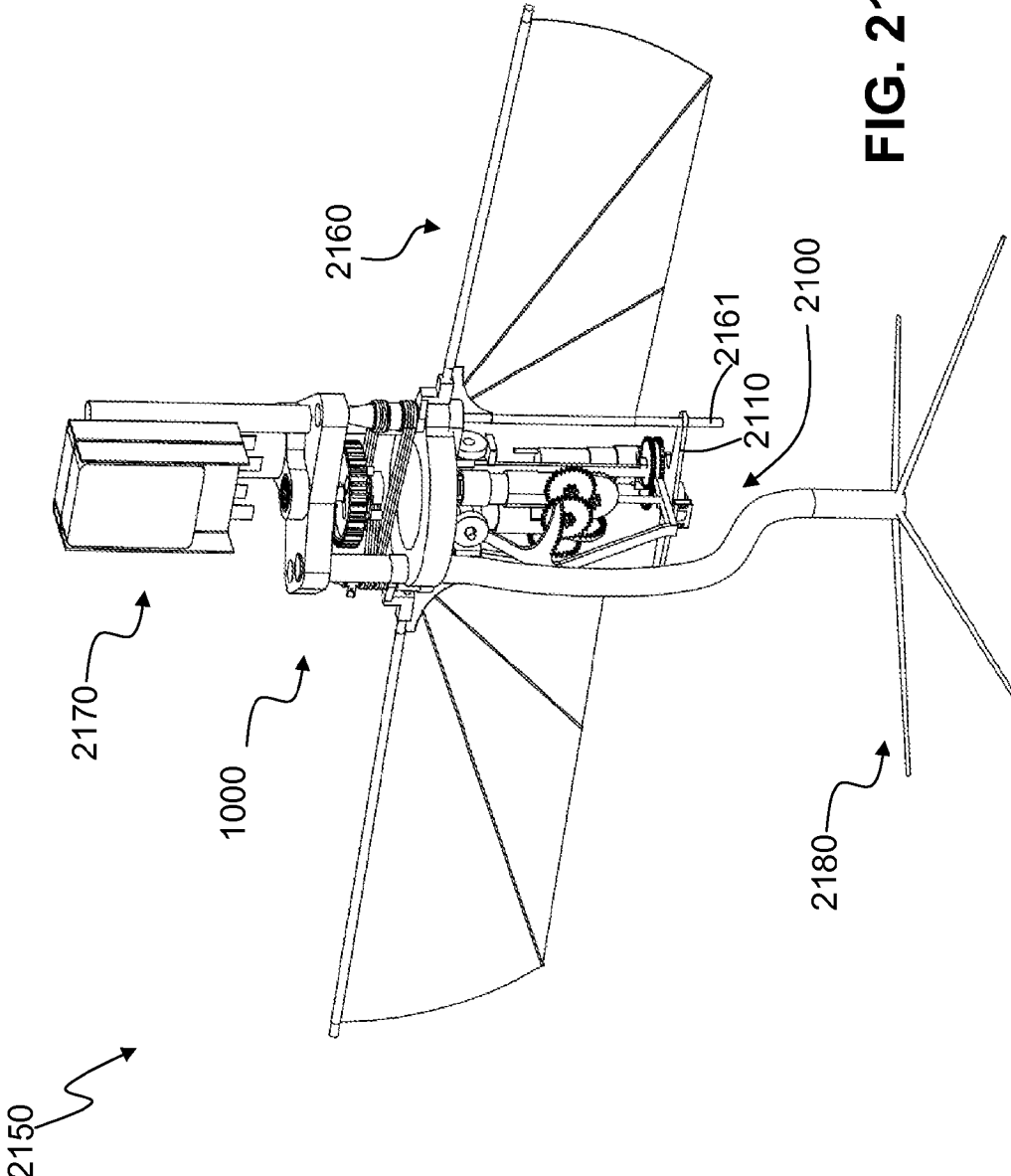


FIG. 21B

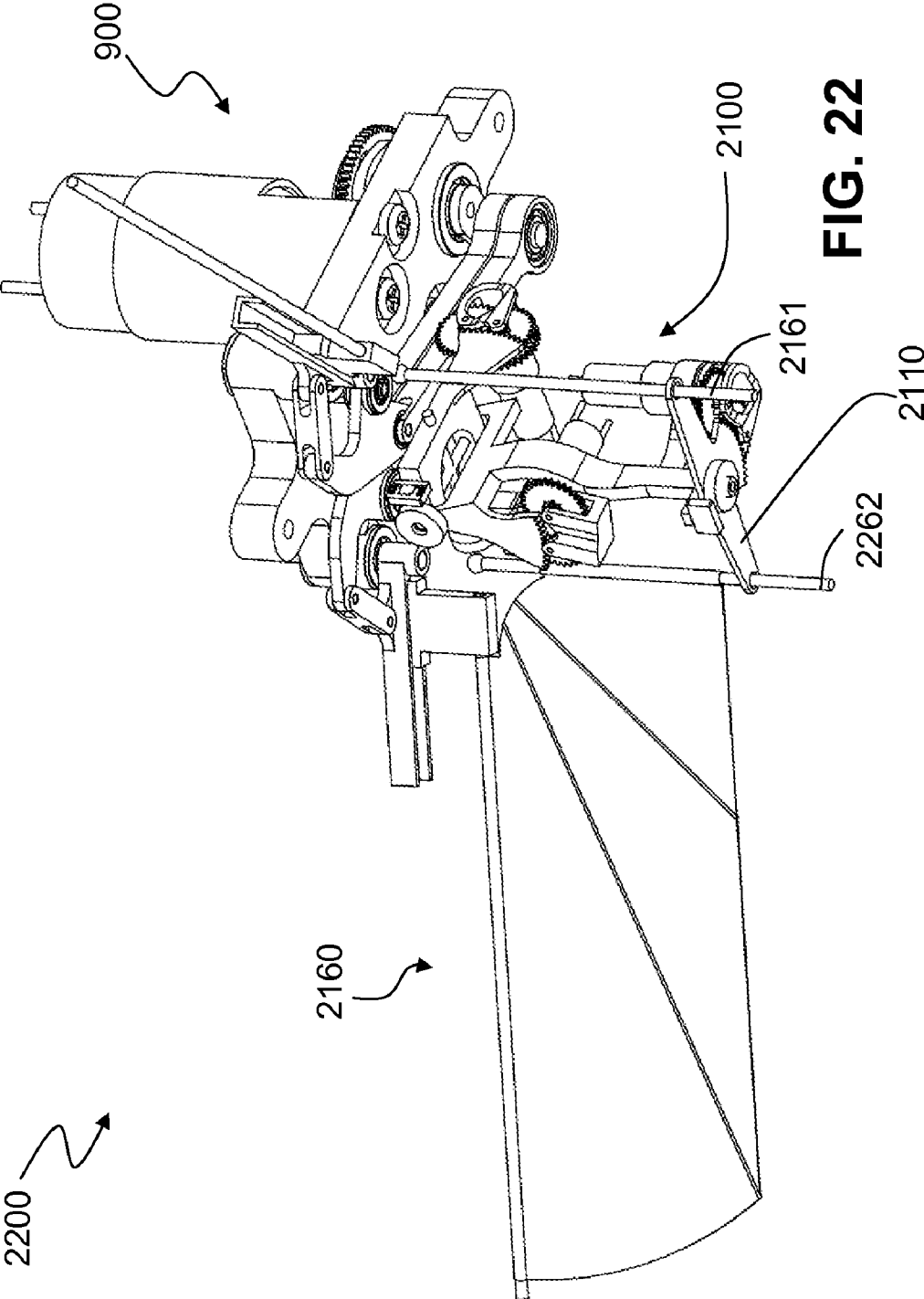


FIG. 22

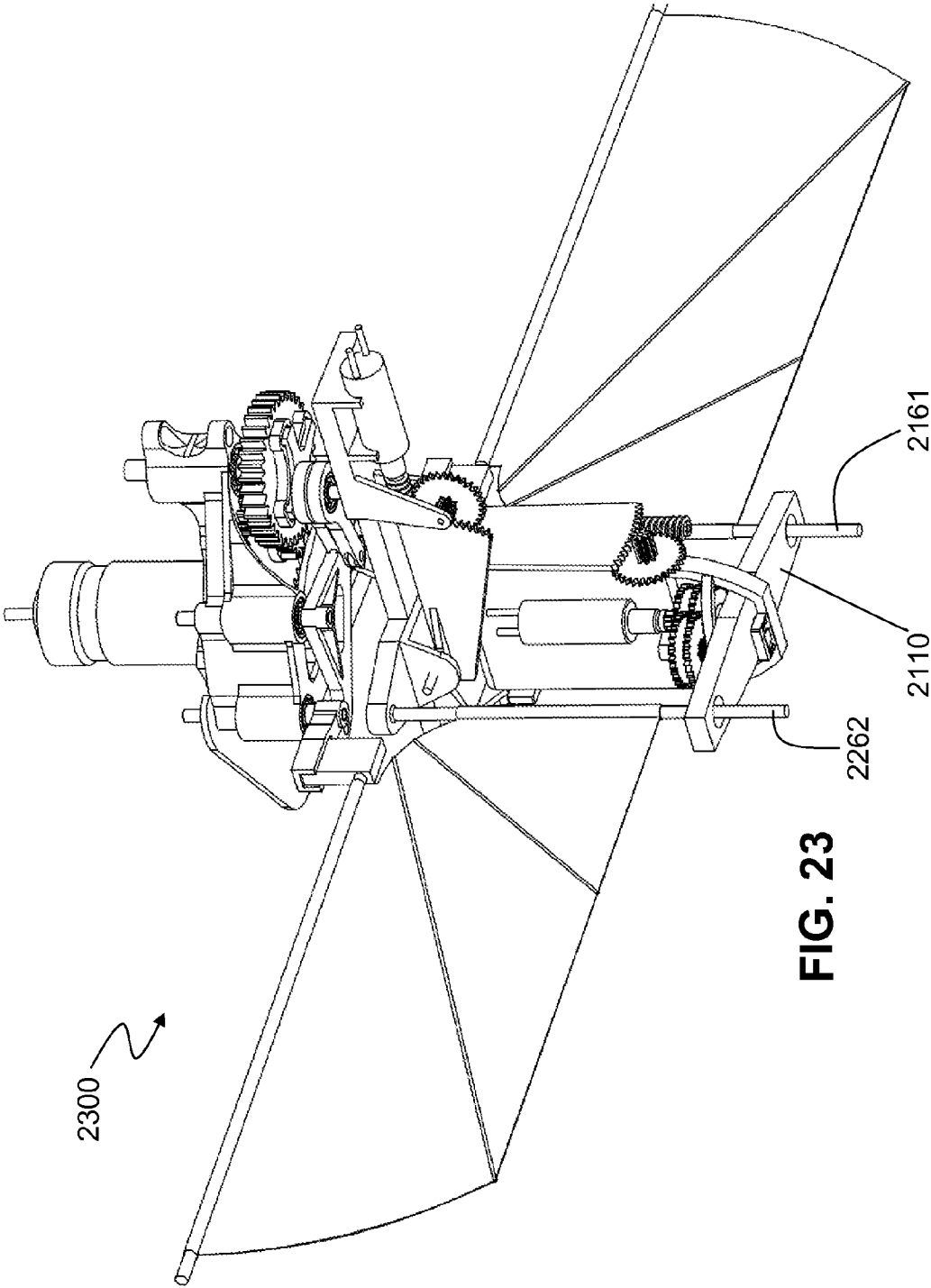


FIG. 23

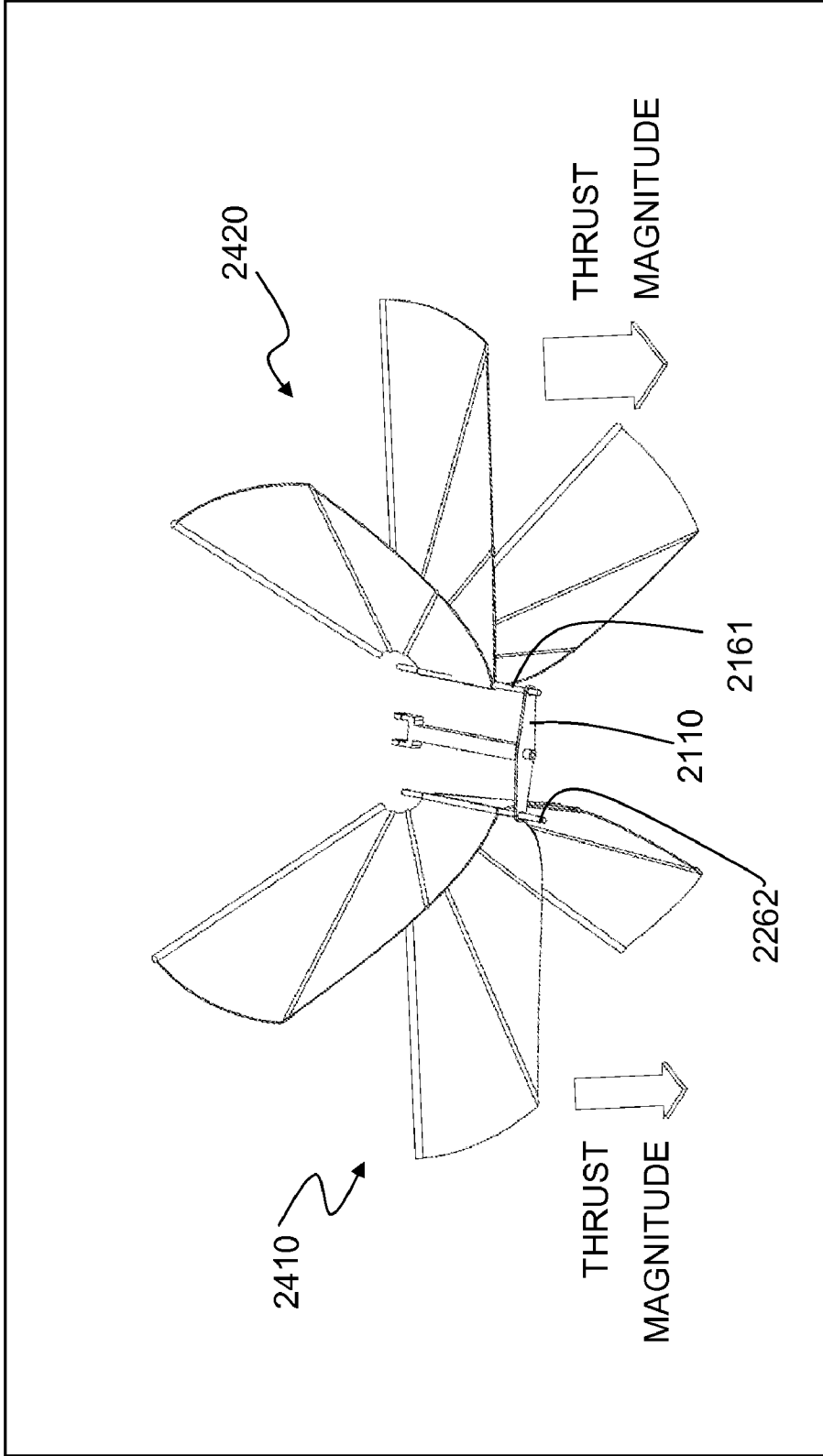


FIG. 24A

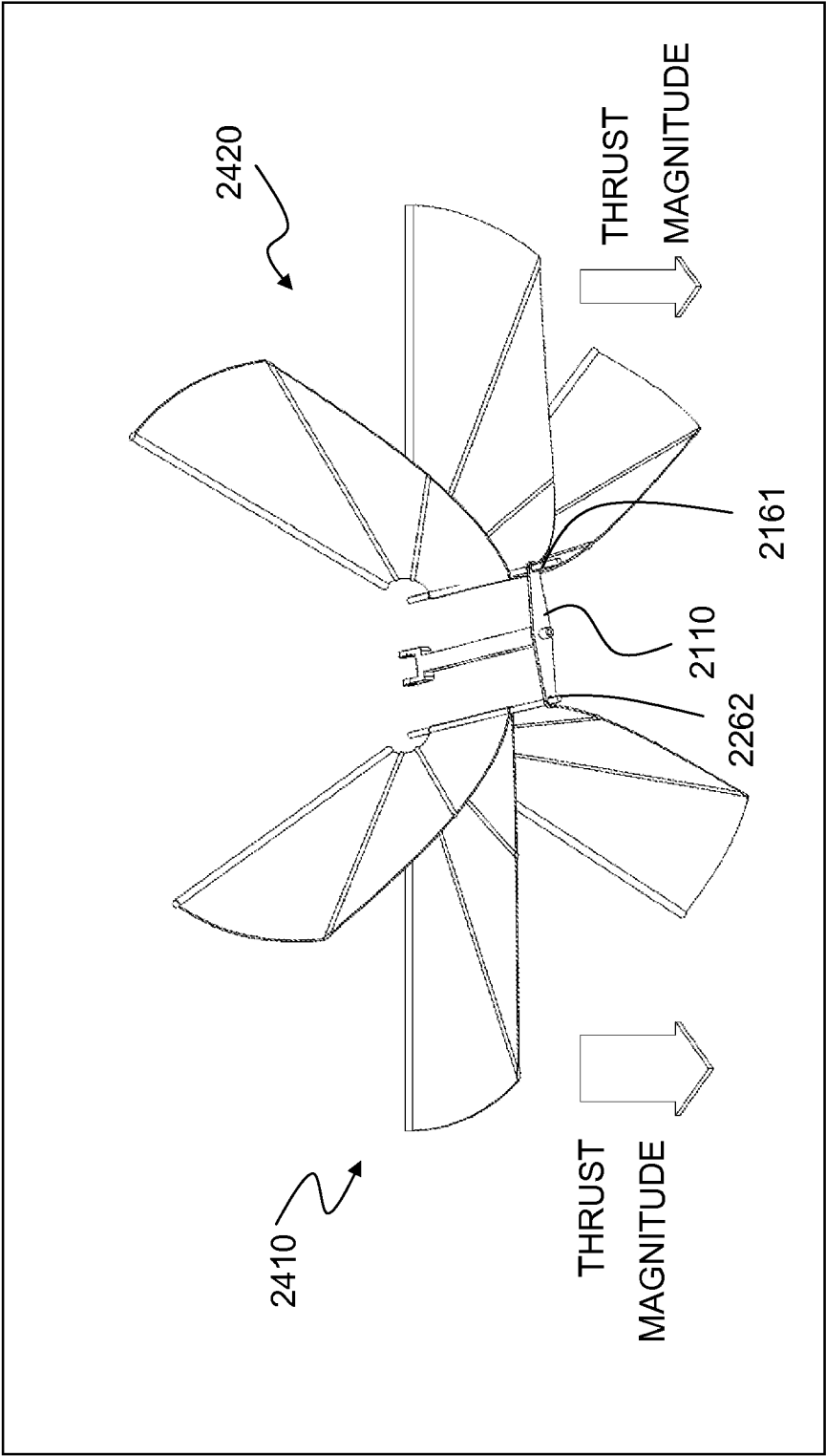


FIG. 24B

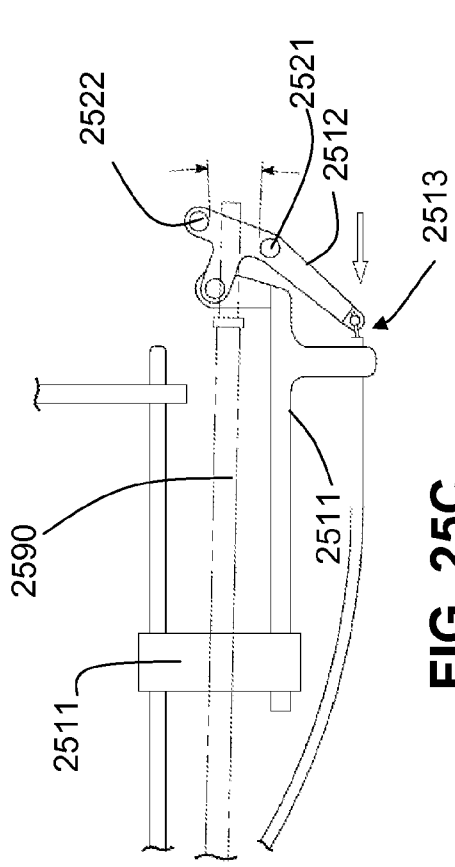


FIG. 25C

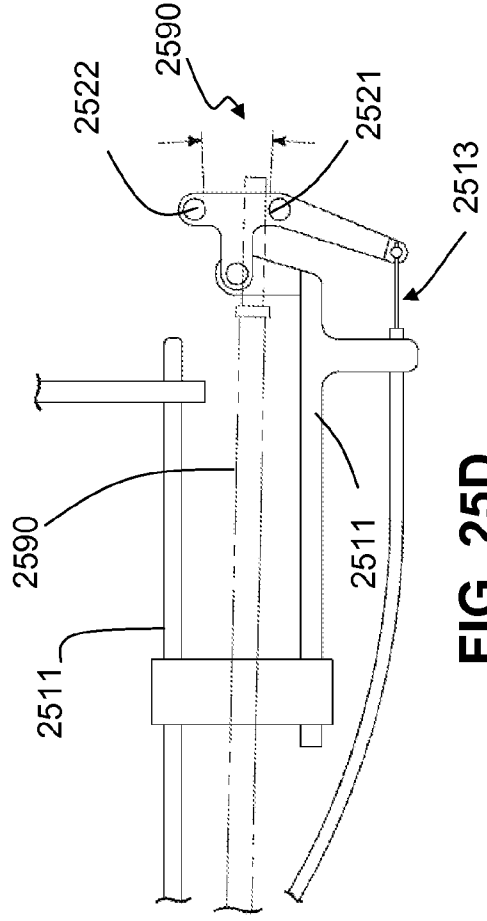


FIG. 25D

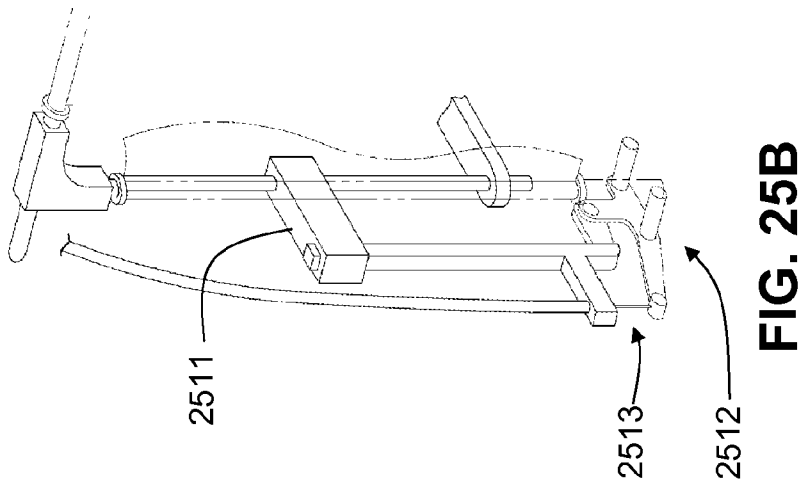


FIG. 25B

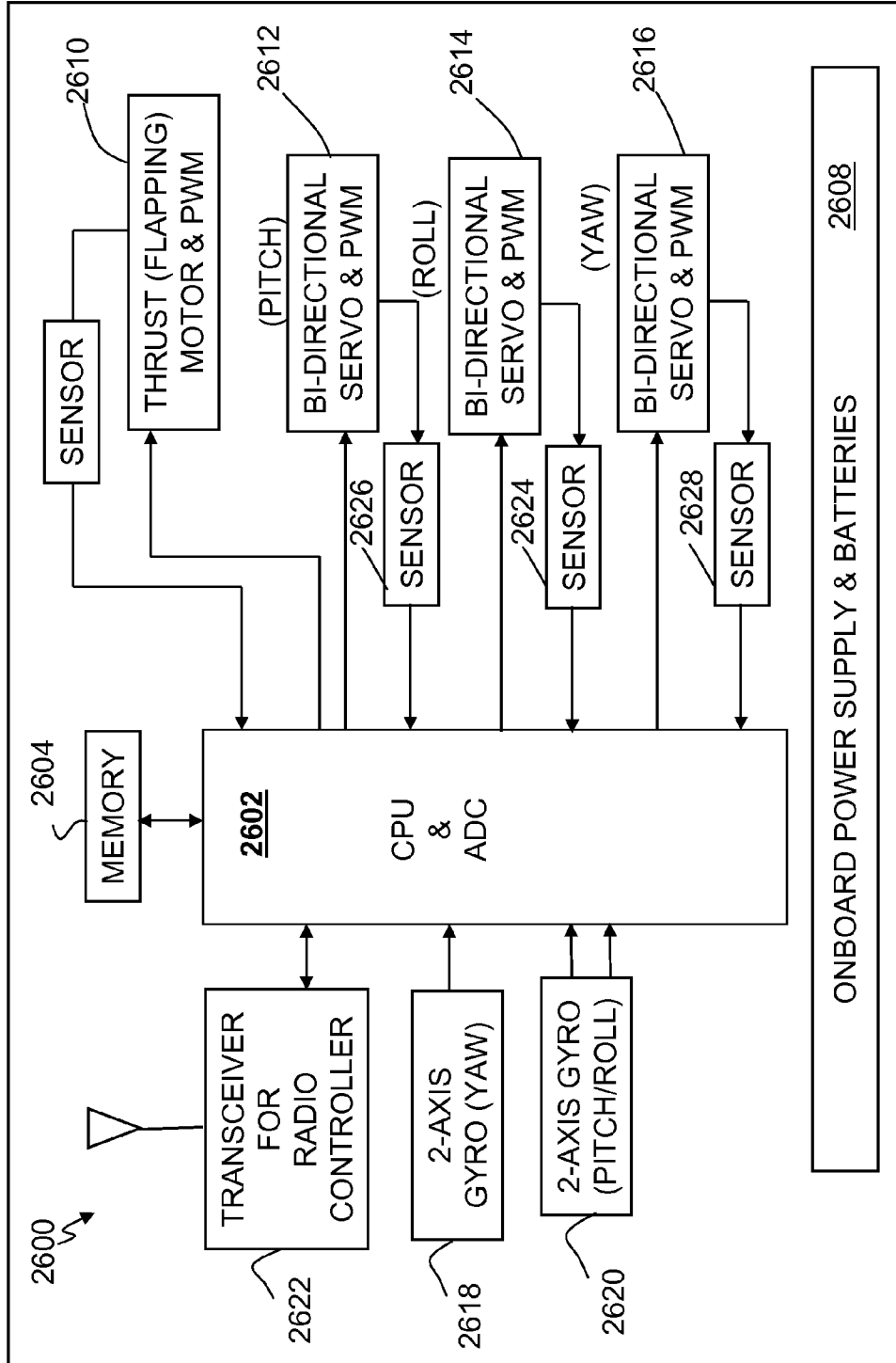


FIG. 26

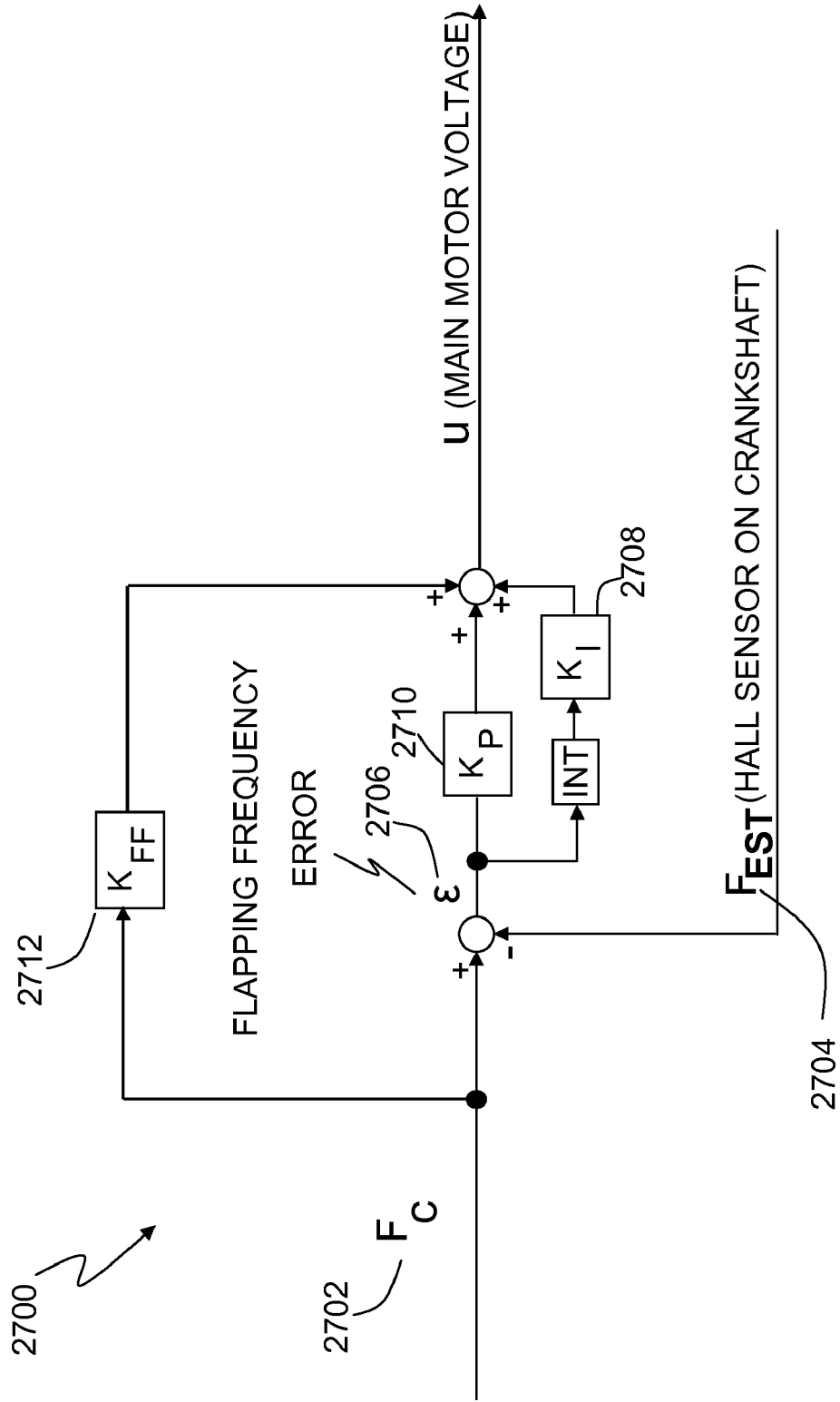


FIG. 27

2800 ↗

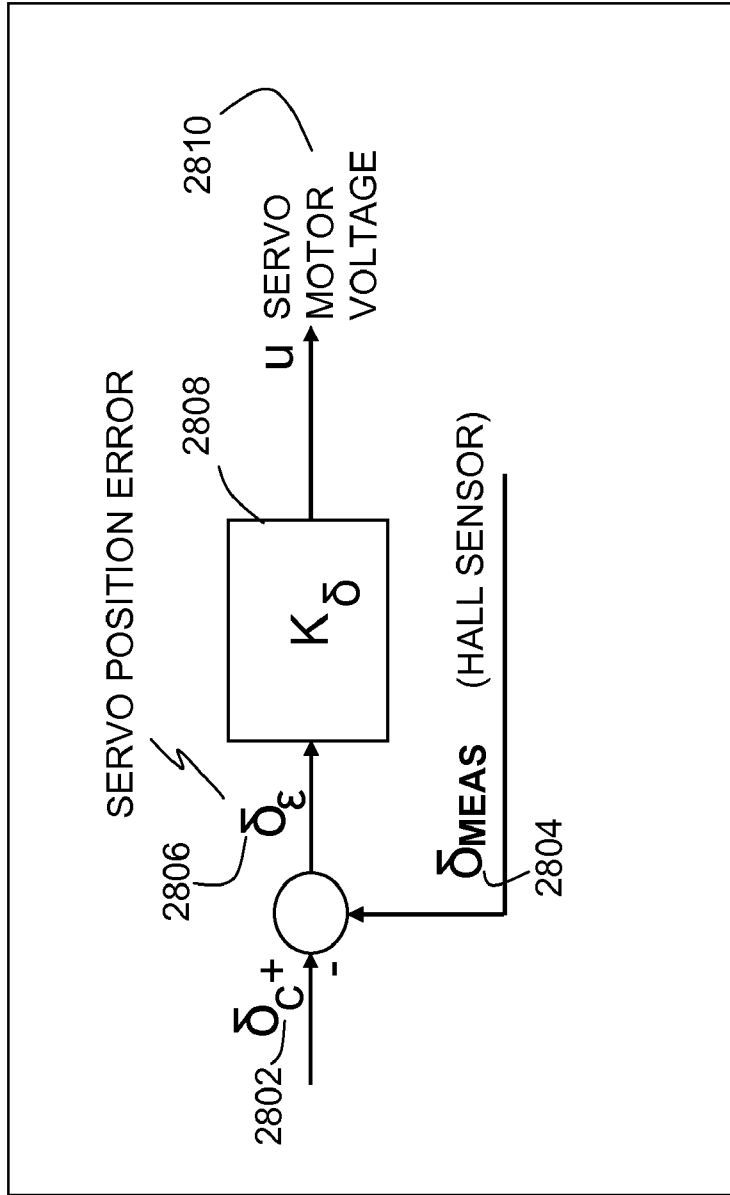


FIG. 28

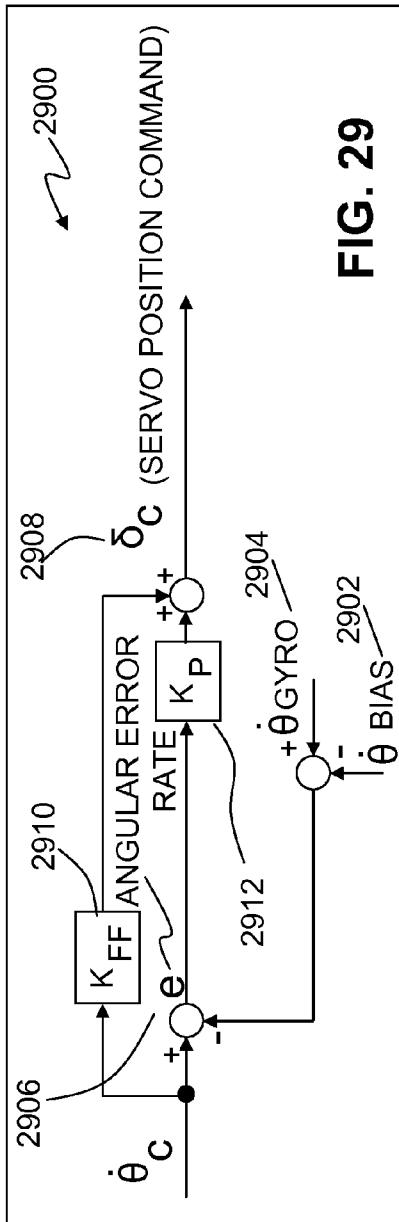


FIG. 29

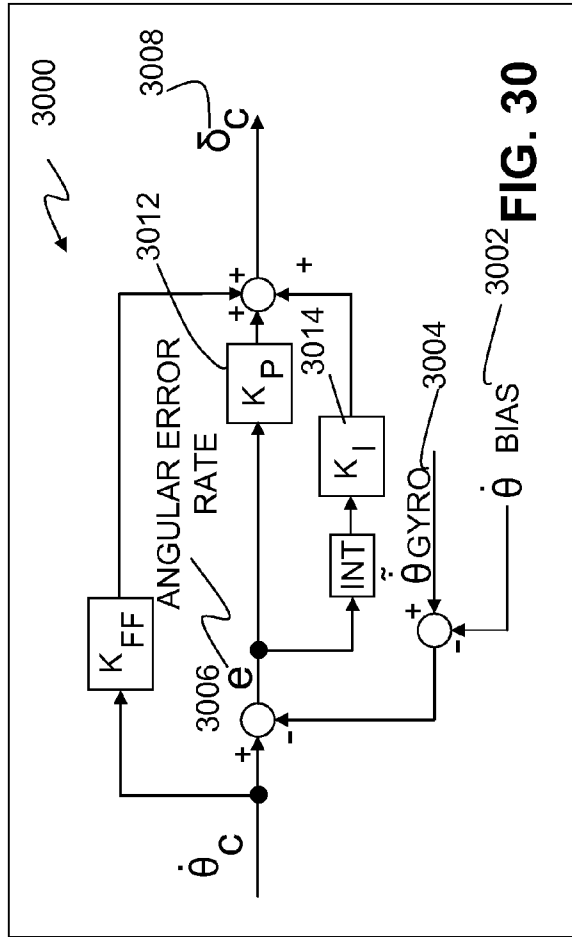


FIG. 30

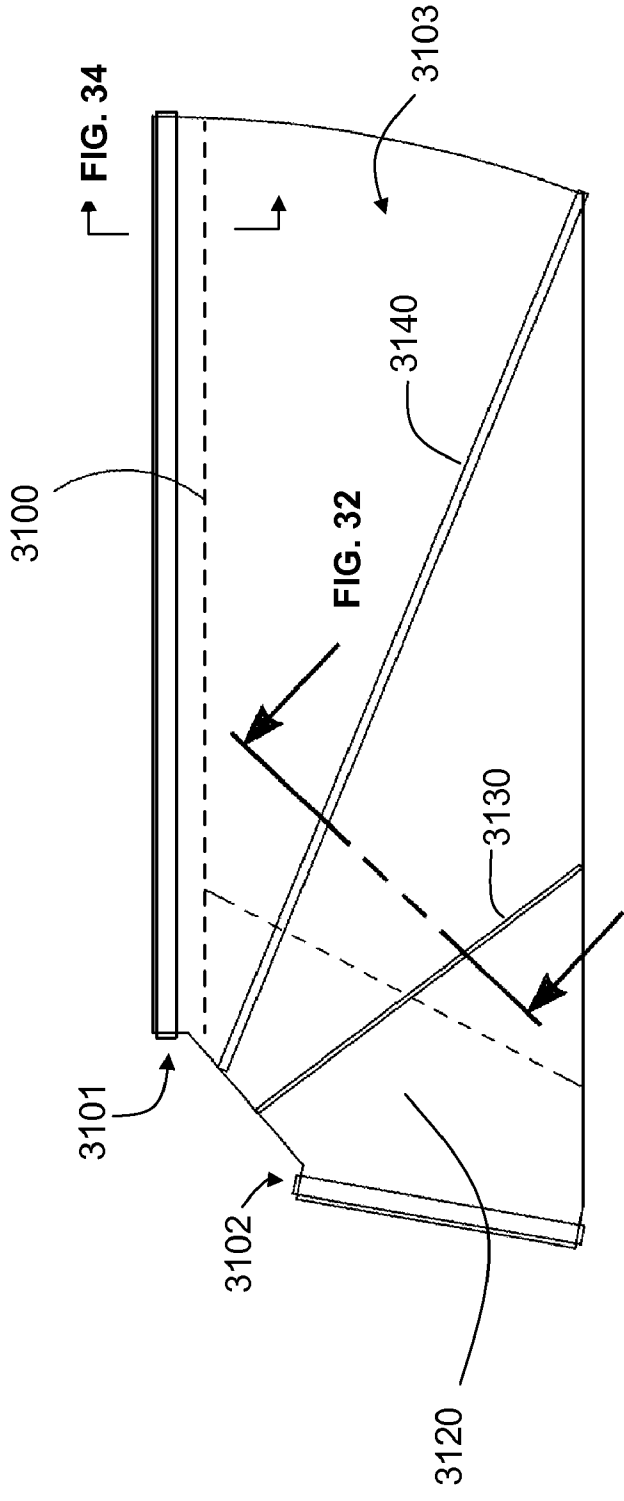


FIG. 31

FIG. 32

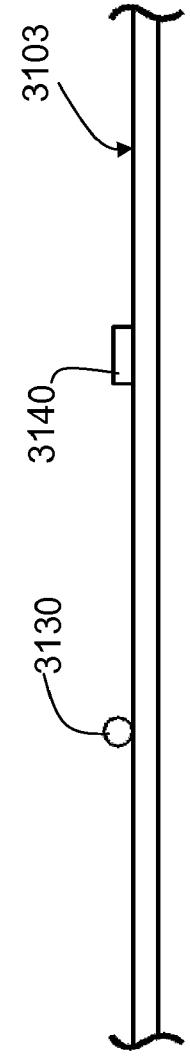


FIG. 32

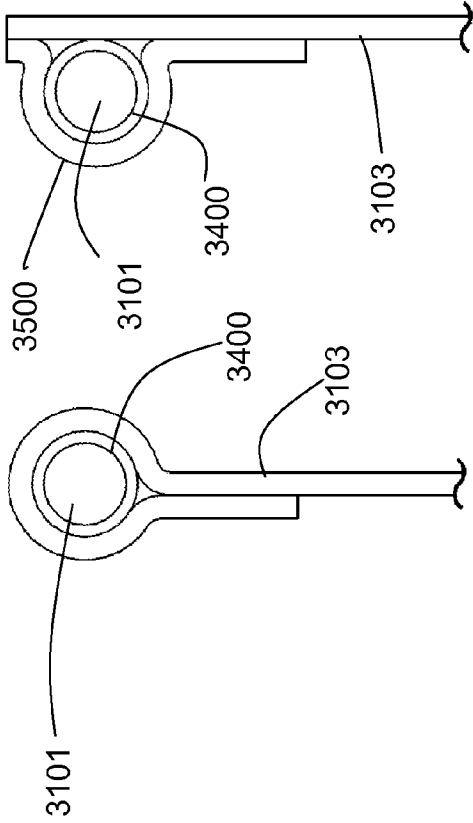


FIG. 34

FIG. 35

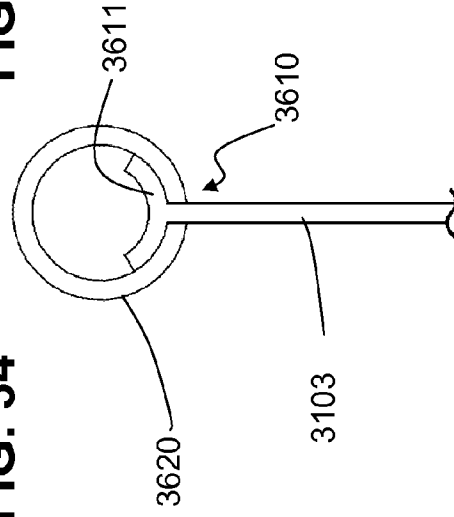


FIG. 36

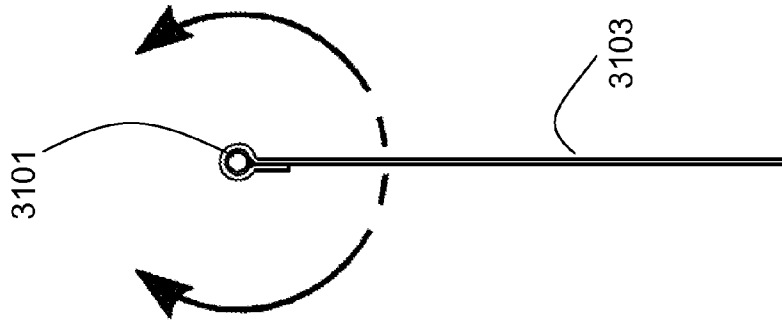


FIG. 33

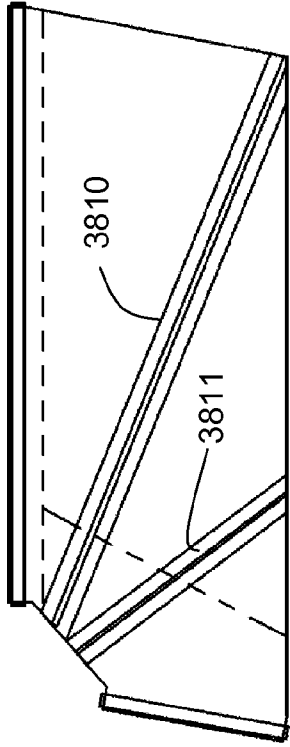
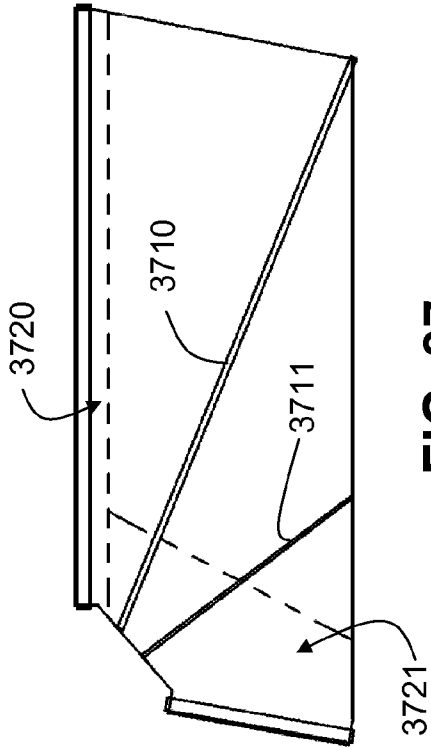


FIG. 37

FIG. 38

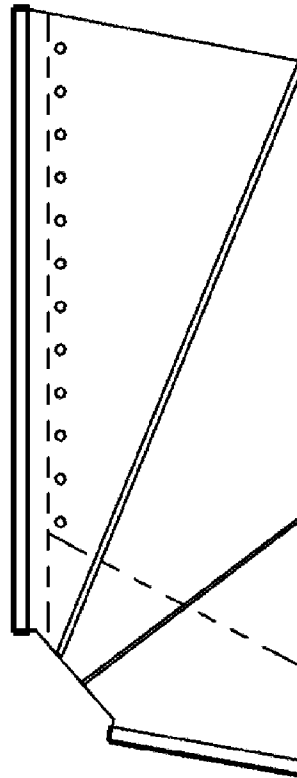


FIG. 39

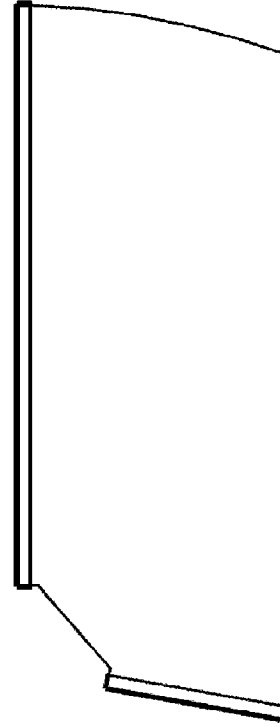


FIG. 40

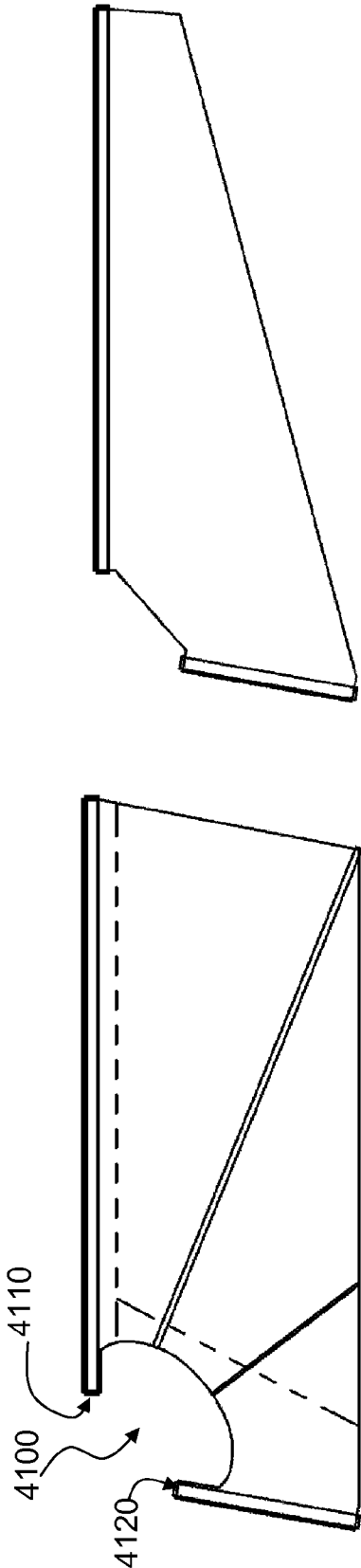


FIG. 42

FIG. 41

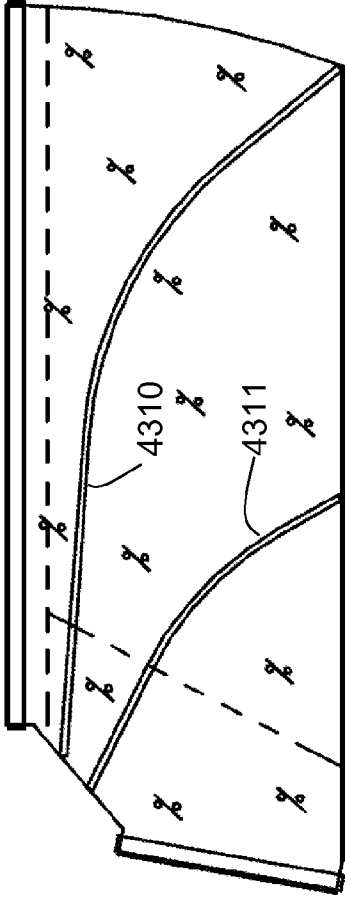


FIG. 43

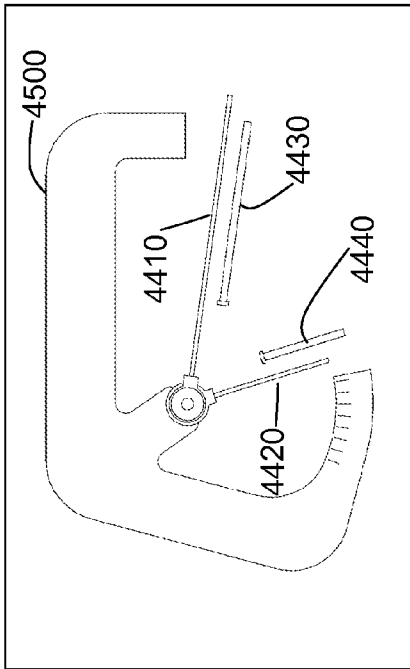


FIG. 44

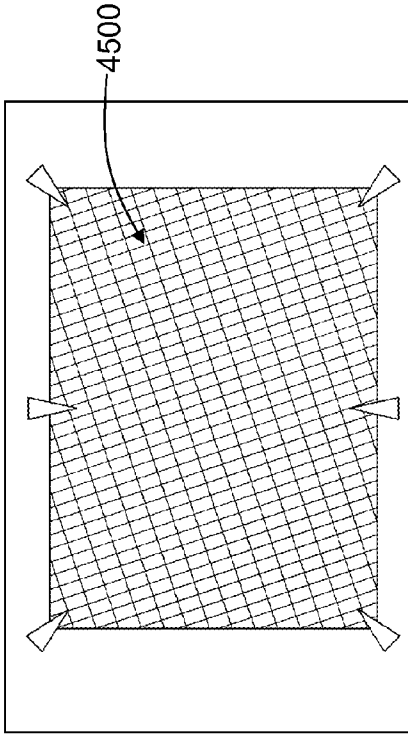


FIG. 45

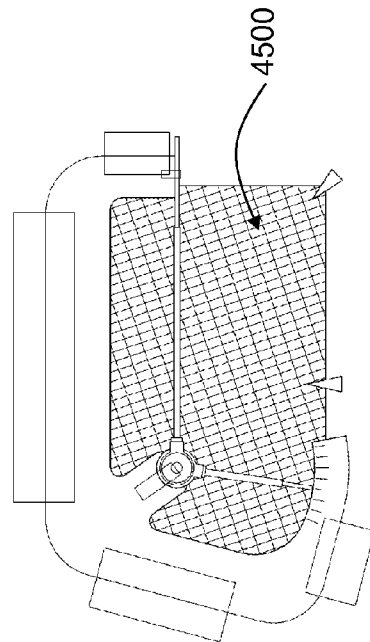


FIG. 46

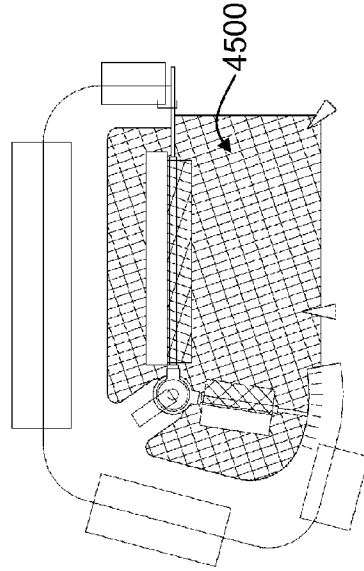


FIG. 47

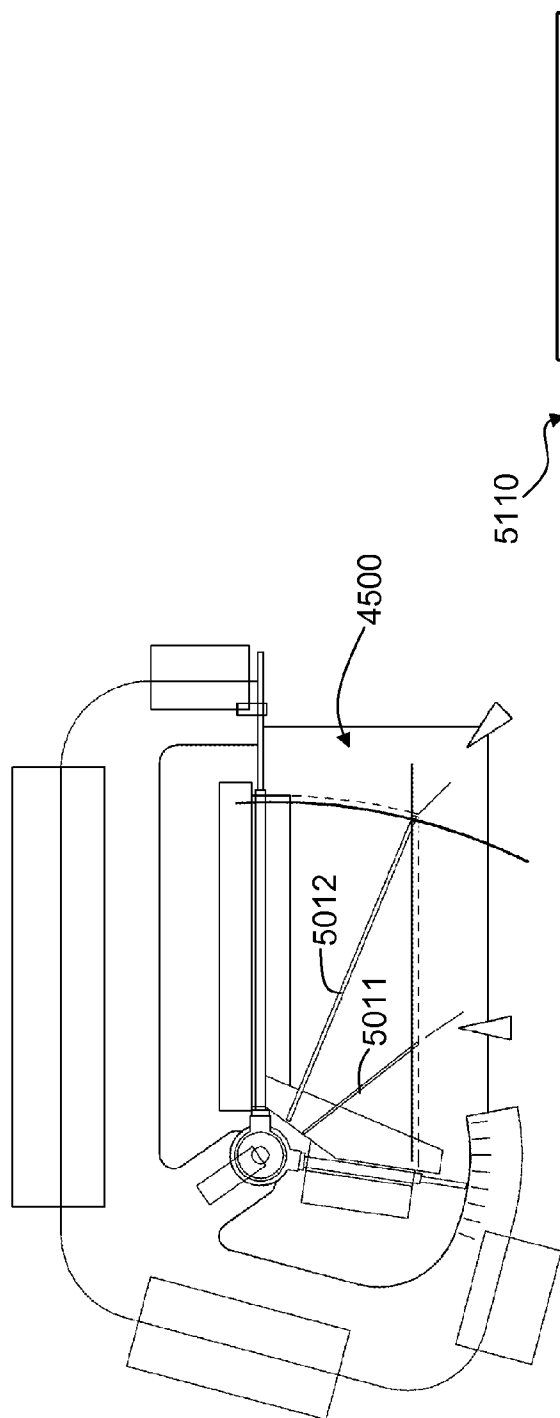


FIG. 48

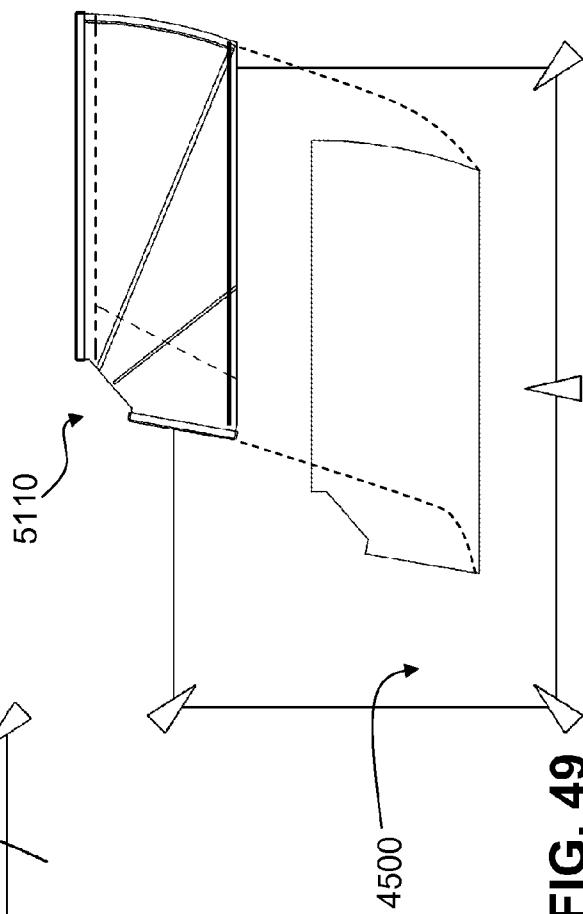


FIG. 49

AIR VEHICLE FLIGHT MECHANISM AND CONTROL METHOD

CROSS-REFERENCE TO RELATED APPLICATIONS

[0001] This application is a continuation-in-part of International Application No. PCT/US 10/37540 filed Jun. 4, 2010 which claims the benefit of U.S. Provisional Patent Application No. 61/184,748, filed Jun. 5, 2009, and this application claims the benefit of U.S. Provisional Patent Application No. 61/184,748 filed Jun. 5, 2009, the disclosures of which are hereby incorporated herein by reference in their entirety.

STATEMENT REGARDING FEDERALLY SPONSORED RESEARCH OR DEVELOPMENT

[0002] This invention was made with Government support under contract no. W31P4Q-06-C-0435 awarded by the US Army Aviation and Missile Command. The US Government has certain rights in the invention.

TECHNICAL FIELD OF ENDEAVOR

[0003] Heavier-than-air, aircraft having flapping wings where angular orientation control is effected by variable differential sweep angles of deflection of the flappable wings in the course of sweep angles of travel and/or the control of variable wing membrane tension.

BACKGROUND

[0004] Radio-controlled, heavier-than-air, aircraft having sustainable beating wings, e.g., ornithopters.

SUMMARY

[0005] Exemplary embodiments of an air vehicle comprise a support structure, e.g., a structural element of a fuselage, where the support structure may further comprise a flapping drive element, e.g., one or more motors configured to generate flapping angular velocity, a first airfoil rotatably attached, e.g., via a joint, to the support structure and a second airfoil rotatably attached, e.g., via a joint, to the support structure. The first airfoil may comprise a root-to-wingtip spar, or mast, a root spar, or boom, and a scrim, or membrane, attached to, e.g., wrapped about or wrapped about a tube that is disposed about, the first mast and the first root spar. The first airfoil is configured to be driven to flap via the flapping drive element, e.g., via gearing, pulleys, and/or linkages. The second air foil comprises a second mast, second root spar, and a second membrane attached to the second root spar and the second mast. The second airfoil is also configured to be driven to flap via the flapping drive element. Air vehicle control about at least one axis of the vehicle, e.g., pitch, yaw, or roll, is effected by at least one of: (a) variable membrane luffing, e.g., via increasing and decreasing the angle between the mast and the root spar by the rotating the root spar relative to the mast thereby loosening or making taut the surface of the membrane; (b) variable root spar rotation travel limitation, e.g., via repositionable boom tip travel stops, and (c) variable motor drive speed, e.g., via a flapping drive element comprising two motors, each driving one airfoil.

[0006] Exemplary embodiments include an air vehicle control device comprising: a first flappable wing having a sweep angle of travel, wherein the first flappable wing comprises a membrane attached to a root spar and a mast, the membrane

having surface tension adjustable via rotation of the root spar relative to the mast; a second flappable wing having a sweep angle of travel, wherein the second flappable wing comprises a second membrane attached to a second root spar and a second mast, the membrane having surface tension adjustable via rotation of the second root spar relative to the second mast; wherein the first flappable wing extends in a radial direction from the air vehicle and the second flappable wing extends in a radial direction from a side of the air vehicle substantially opposite the first flappable wing; and thereby configured to generate at least one of: a pitching torque, a rolling torque and a yawing torque, by generating a difference between luffing of the first flappable wing and luffing of the second flappable wing. Other exemplary embodiments have the first flappable wing further comprising a sweep angle of deflection comprising a forward sweep angle of deflection and a backward sweep angle of deflection; and a second flappable wing further comprising a sweep angle of deflection comprising a forward sweep angle of deflection and a backward sweep angle of deflection; where the device is further configured to generate a yawing torque, by generating at least one of: a difference between the forward sweep angle of deflection of the first flappable wing and the forward sweep angle of deflection of the second flappable wing, and a difference between the backward sweep angle of deflection of the first flappable wing and the backward sweep angle of deflection of the second flappable wing.

[0007] Exemplary embodiments include an assembly comprising: (a) a first arm rotatably attached to a support structure and a second arm rotatably attached to the support structure; (b) a first wing comprising a membrane attached to a first mast and a first root spar, the first wing mast rotationally attached to a first arm, and the first root spar attached to a luffing control assembly; and (c) a second wing comprising a membrane attached to a second mast and a second root spar, the second wing mast rotationally attached to a second arm, and the second root spar attached to the luffing control assembly. The luffing control assembly may comprise a first yang attached to the first root spar while allowing for some rotational travel of the first root spar about the mast longitudinal axis, a second yang attached to the second root spar while allowing for some rotational travel of the second root spar about the mast longitudinal axis, and a repositionable yang yoke configured to receive the first yang and the second yang. Other exemplary embodiments include the first arm further comprising a first repositionable stop and a second repositionable stop together defining a rotation angle of the first wing root spar about the first wing mast; and the second arm further comprising a third repositionable stop and a fourth repositionable stop together defining a rotation angle of the second wing root spar about the second wing mast.

[0008] Embodiments also include a method of air vehicle control comprising (in no particular order): (a) providing: (i) a first flappable wing having a sweep angle of travel, and having a sweep angle of deflection comprising a forward sweep angle of deflection and a backward sweep angle of deflection; and (ii) a second flappable wing having a sweep angle of travel, and having a sweep angle of deflection comprising a forward sweep angle of deflection and a backward sweep angle of deflection; wherein the first flappable wing extends in a radial direction from the air vehicle and the second flappable wing extends in a radial direction from a side of the air vehicle substantially opposite the first flappable wing; and (b) generating at least one of: a rolling torque and

a yawing torque, by generating at least one of: a difference between the forward sweep angle of deflection of the first flappable wing and the forward sweep angle of deflection of the second flappable wing, and a difference between the backward sweep angle of deflection of the first flappable wing and the backward sweep angle of deflection of the second flappable wing. The method of air vehicle control may further comprise generating a pitching torque by changing the forward angle of deflection of the first flappable wing based on its sweep angle and by changing the forward angle of deflection of the second flappable wing based on its sweep angle. Some embodiments of the invention may further comprise generating a pitching torque by changing the backward angle of deflection of the first flappable wing based on its sweep angle and by changing the backward angle of deflection of the second flappable wing based on its sweep angle.

[0009] Embodiments may also include a flapping device comprising: (a) a rotating element having a center of rotation and a plane of rotation; (b) a first capstan mounted about a shaft, the shaft attached to the rotating element distal from the center of rotation and substantially perpendicular to the plane of rotation; (c) a first rocker member rotatably attached to a support structure; (d) a first drive link rotatably attached to the first capstan and the first rocker member; (e) a first arm rotatably attached to the support structure and rotatably attached to the first rocker member via a first rocker link; (f) a second capstan mounted about the shaft; (g) a second rocker member rotatably attached to the support structure; (h) a second drive link rotatably attached to the second capstan and the second rocker member; and (i) a second arm rotatably attached to the support structure and rotatably attached to the second rocker member via a second rocker link. Some embodiments of the mechanism embodiment have the rotating element rotatably attached to the support structure.

[0010] Embodiments may also include an assembly comprising: (a) a first arm rotatably attached to a support structure and a second arm rotatably attached to the support structure; (b) a first wing comprising a first mast and a first spar, the first wing mast rotationally attached to a first arm, the first arm having a first repositionable stop and a second repositionable stop together defining a rotation angle of the first wing spar about the first wing mast; and (c) a second wing comprising a second mast and a second spar, the second wing mast rotationally attached to a second arm, the second arm having a third repositionable stop and a fourth repositionable stop together defining a rotation angle of the second wing spar about the second wing mast. Some embodiments of the assembly have the first stop disposed on a first pulley and the second stop disposed on a second pulley, where the first pulley and the second pulley are each rotatably repositionable via an actuated linking member and where the third stop and fourth stop are each rotatably repositionable via a second actuated linking member.

[0011] Some embodiments of the assembly have the first stop disposed on a first pulley and the second stop disposed on a second pulley, where the first pulley and the second pulley are each rotatably repositionable via an actuated linking member to increase a first angle subtended by the first stop and the second stop, and the third stop and fourth stop are each rotatably repositionable via a second actuated linking member to increase a second angle subtended by the third stop and the fourth stop.

[0012] Embodiments may also include a mechanism comprising: (a) a rotating element having a center of rotation and

a plane of rotation; (b) a first capstan mounted about a shaft, the shaft attached to the rotating element distal from the center of rotation and substantially perpendicular to the plane of rotation; (c) a second capstan mounted about the shaft; (d) a first arm mounted to a third capstan, a first linking member connecting the third capstan with the first capstan; (e) a second arm mounted to a fourth capstan, a second linking member connecting the fourth capstan with the second capstan; and (f) a third linking member connecting the third capstan with the fourth capstan. In some embodiments of the mechanism, the third capstan of the mechanism may have a center of rotation, the fourth capstan may have a center of rotation, and the center of rotation of the rotating element may be substantially collinear with both the center of rotation of the third capstan and the center of rotation of the fourth capstan. In some embodiments of the mechanism, the first linking member may comprise a cord, the second linking member may comprise a cord, and the third linking member may comprise a cord.

[0013] Embodiments may also include a wing comprising: (a) a mast engaging a fitment; (b) a spar engaging a fitment substantially perpendicular to the mast; (c) a mast tube disposed about a portion of the mast; (d) a spar tube disposed about a portion of the spar; (e) a scrim attached to the spar tube and the mast tube; and (f) a first batten disposed on the scrim and extending in a direction radially from the intersection of the spar and the mast, the first batten having a distal end proximate to an edge of the airfoil. Some embodiments of the wing further comprise a strut disposed proximate to the intersection of the mast and the spar, the strut attached to the mast and the spar. Some embodiments of the wing have the first batten further comprising a proximal end attached to the strut. Some embodiments of the wing may further comprise a second batten disposed on the scrim and extending in a direction radially from the intersection of the spar and the mast, the second batten having a distal end proximate to an edge of the airfoil. Some embodiments of the wing have the second batten further comprising a proximal end attached to the strut. Still other embodiments of the wing further comprise a root socket configured to fixedly receive the spar and configured to rotatably receive the mast. In some embodiments, the planform of the wing is defined by perimeter points comprising: the distal end of the first batten, a distal end portion of the mast, a distal end portion of the spar, a proximal end portion of the mast, and a proximal end portion of the spar. In some embodiments, the planform of the wing is defined by perimeter points comprising: the distal end of the first batten, the distal end of the second batten, a distal end portion of the mast, a distal end portion of the spar, a proximal end portion of the mast, and a proximal end portion of the spar. Some embodiments of the wing have a scrim comprising a polyvinyl fluoride film and some other embodiments of the wing have a scrim comprising a polyvinyl fluoride film further comprising a fiber mesh. For some embodiments of the wing, the scrim comprises a fiber mesh comprising intersecting lines of fiber mesh, the lines of fiber mesh may be oriented at oblique angles relative to the spar tube and relative to the mast tube. Some embodiments of the wing have the mast comprising a carbon rod and the first batten may comprise a carbon rod.

[0014] A flapping drive element may comprise two or more motors, flap rate sensors, and circuitry to control and adjust the flap rates of the two airfoils, each attached to an arm of the flapping drive element. For example, a flapping drive element

may comprise a first motor driving a first rotating element, the first rotating element having a center of rotation and a plane of rotation; a first capstan mounted about a shaft, the shaft attached to the rotating element distal from the center of rotation and substantially perpendicular to the plane of rotation; a second capstan mounted about the shaft; a first arm mounted to a third capstan, a first linking member connecting the third capstan with the first capstan; a second linking member connecting the fourth capstan with the second capstan; and a third linking member connecting the third capstan with the fourth capstan; a second motor driving a second rotating element, the second rotating element having a center of rotation and a plane of rotation; a fifth capstan mounted about a second shaft, the second shaft attached to the second rotating element distal from the center of rotation and substantially perpendicular to the plane of rotation of the second rotating element; a sixth capstan mounted about the second shaft; a fourth linking member connecting the seventh capstan with the fifth capstan; a second arm mounted to an eighth capstan, a fifth linking member connecting the eighth capstan with the sixth capstan; and a sixth linking member connecting the seventh capstan with the eighth capstan; and circuitry controlling a flapping rate of the first motor and the second motor.

BRIEF DESCRIPTION OF THE DRAWINGS

- [0015]** Embodiments of the invention are illustrated by way of example and not limitation in the figures of the accompanying drawings, and in which:
- [0016]** FIG. 1 depicts an aircraft having two flapping airfoils;
- [0017]** FIG. 2A depicts an exemplary airfoil;
- [0018]** FIG. 2B depicts the flexibility and luffing of the exemplary airfoil of FIG. 2A;
- [0019]** FIG. 2C depicts the flexibility and luffing of the exemplary airfoil of FIG. 2A; FIG. 3A depicts in a top view an aircraft having a nose tip oriented in the forward direction with its left airfoil deflected less than its right airfoil in a forward stroke of the wings;
- [0020]** FIG. 3B depicts in a top view an aircraft having a nose tip oriented in the forward direction with its left airfoil deflected less than its right airfoil in a backward stroke of the wings;
- [0021]** FIG. 3C depicts in a top view an aircraft having a nose tip oriented in the forward direction with its left airfoil deflected more than its right airfoil in a forward stroke of the wings;
- [0022]** FIG. 3D depicts in a top view an aircraft having a nose tip oriented in the forward direction with its left airfoil deflected less than its right airfoil in a backward stroke of the wings;
- [0023]** FIG. 4A depicts instantaneous thrust vectors and cumulative thrust vectors for the left and right sides of a vehicle such as in FIGS. 3A and 3B;
- [0024]** FIG. 4B depicts instantaneous thrust vectors and cumulative thrust vectors for the left and right sides of a vehicle such as in FIGS. 3A and 3B;
- [0025]** FIG. 4C depicts instantaneous thrust vectors and cumulative thrust vectors for the left and right sides of a vehicle such as in FIGS. 3C and 3D;
- [0026]** FIG. 4D depicts instantaneous thrust vectors and cumulative thrust vectors for the left and right sides of a vehicle such as in FIGS. 3C and 3D;
- [0027]** FIG. 5A depicts in a top view an aircraft having a nose tip oriented in the forward direction with its left airfoil deflected less than its right airfoil in a backward stroke of the wings;
- [0028]** FIG. 5B depicts in a top view an aircraft having a nose tip oriented in the forward direction with its left airfoil deflected more than its right airfoil in a forward stroke of the wings;
- [0029]** FIG. 5C depicts in a top view an aircraft having a nose tip oriented in the forward direction with its left airfoil deflected more than its right airfoil in a backward stroke of the wings;
- [0030]** FIG. 5D depicts in a top view an aircraft having a nose tip oriented in the forward direction with its left airfoil deflected less than its right airfoil in a forward stroke of the wings;
- [0031]** FIG. 6A depicts instantaneous thrust vectors and cumulative thrust vectors for the left and right sides of a vehicle such as in FIGS. 5A and 5B;
- [0032]** FIG. 6B depicts instantaneous thrust vectors and cumulative thrust vectors for the left and right sides of a vehicle such as in FIGS. 5C and 5D;
- [0033]** FIG. 7A depicts in a top view an aircraft having a nose tip oriented in the forward direction with its left airfoil and its right airfoil both deflected less in the beginning of a forward stroke (fore stroke) of the wings than the deflection at the end of the forward stroke which is depicted as larger in deflected angle;
- [0034]** FIG. 7B depicts in a top view an aircraft having a nose tip oriented in the forward direction with its left airfoil and its right airfoil both deflected more in the beginning of a backward stroke (backstroke) of the wings than the deflection at the end of the backward stroke which is depicted as smaller in deflected angle;
- [0035]** FIG. 7C depicts in a top view an aircraft having a nose tip oriented in the forward direction with its left airfoil and its right airfoil both deflected more in the beginning of a forward stroke (fore stroke) of the wings than the deflection at the end of the forward stroke which is depicted as smaller in deflected angle;
- [0036]** FIG. 7D depicts in a top view an aircraft having a nose tip oriented in the forward direction with its left airfoil and its right airfoil both deflected less in the beginning of a backward stroke (backstroke) of the wings than the deflection at the end of the backward stroke which is depicted as larger in deflected angle;
- [0037]** FIG. 8A depicts instantaneous thrust vectors and cumulative thrust vectors for the left and right sides of a vehicle such as in FIGS. 7A and 7B;
- [0038]** FIG. 8B depicts instantaneous thrust vectors and cumulative thrust vectors for the left and right sides of a vehicle such as in FIGS. 7A and 7B;
- [0039]** FIG. 8C depicts instantaneous thrust vectors and cumulative thrust vectors for the left and right sides of a vehicle such as in FIGS. 7C and 7D;
- [0040]** FIG. 8D depicts instantaneous thrust vectors and cumulative thrust vectors for the left and right sides of a vehicle such as in FIGS. 7C and 7D;
- [0041]** FIG. 9 depicts an exemplary flapping drive assembly including a motor, a gearing assembly, a left arm and a right arm rotatably attached at a pin of a drive gear, where the pin is offset from the center of rotation of the drive gear;
- [0042]** FIG. 10A depicts a portion of the drive assembly of FIG. 10B;

[0043] FIG. 10B depicts an exemplary flapping drive assembly and mechanism;

[0044] FIG. 11A depicts in exploded view an exemplary wing;

[0045] FIG. 11B depicts an assembled exemplary wing;

[0046] FIG. 12 depicts an exemplary flapping drive assembly and mechanism, similar to combining a pair of the embodiments of FIG. 10, where each has four capstans;

[0047] FIG. 13 depicts an exemplary assembly for limiting root spar, or boom, travel;

[0048] FIGS. 14A-14C depict in a side view the exemplary assembly of FIG. 13;

[0049] FIG. 15A depicts the motion of a string to rotate the position of a first boom stop by rotating a first pulley element about a pivot point on a support structure;

[0050] FIG. 15B depicts in a bottom up view the boom stops extended of a relatively high deflecting angle of the boom for a first wing position of a stroke;

[0051] FIG. 15C depicts in a bottom up view the boom stops extended of a relatively high deflecting angle of the boom for a second wing position of a stroke;

[0052] FIG. 16 depicts a wing assembly and the pair of pulley elements for the boom stops;

[0053] FIG. 17A depicts an example where each boom stop is positioned to allow for a relatively large deflection angle, compared to 17B, for both the forward stroke and the backward stroke;

[0054] FIG. 17B depicts an example where each boom stop is positioned to allow for a relatively small deflection angle, compared to 17A, for both the forward stroke and the backward stroke;

[0055] FIG. 18A depicts stops in a neutral position as to the yaw channel;

[0056] FIG. 18B depicts stops biased to the right where the flapping of the wing and movement of the boom between the two stops—to one stop during the forward stroke and to the other stop during the rearward stroke—would generate a thrust vector having a right-oriented component;

[0057] FIG. 18C depicts stops biased to the left where the flapping of the wing and movement of the boom between the two stops—to one stop during the forward stroke and to the other stop during the rearward stroke—would generate a thrust vector having a left-oriented component;

[0058] FIG. 19 depicts an alternate means of boom travel control where a cord or string is controlled by a servo and fed, via eyelets, to the boom and fixed at a distal portion of the boom;

[0059] FIG. 20A depicts control of the orientation of the boom during flapping may be effected by rotating the cord or string to position the boom for a backward stroke;

[0060] FIG. 20B depicts control of the orientation of the boom during flapping may be effected by rotating the cord or string to position the boom for a backward stroke;

[0061] FIG. 21A depicts a three-axis servo boom yang assembly;

[0062] FIG. 21B depicts an exemplary aircraft having a flapping mechanism;

[0063] FIG. 22 depicts a portion of an exemplary aircraft having a flapping mechanism;

[0064] FIG. 23 depicts a portion of an exemplary aircraft having a flapping mechanism;

[0065] FIG. 24A depicts the gimbaled yoke tilted toward the left airfoil and away from the right airfoil;

[0066] FIG. 24B depicts the gimbaled yoke tilted toward the right airfoil and away from the right airfoil;

[0067] FIG. 25A depicts a boom yang system where separate boom yang engages the yoke and provides structural support for a variable boom stop lever;

[0068] FIG. 25B-25D depict actuation of the boom stop lever for yaw control;

[0069] FIG. 26 is an exemplary top level block diagram of the control and propulsion system of an aircraft embodiment;

[0070] FIG. 27 is a top level functional block diagram of a flapping frequency controller;

[0071] FIG. 28 is an exemplary top level block diagram of a servo controller;

[0072] FIG. 29 is an exemplary top level block diagram of an angular rate controller;

[0073] FIG. 30 is an exemplary top level block diagram of an angular rate controller;

[0074] FIG. 31 depicts an exemplary wing;

[0075] FIG. 32 depicts in cross sectional view the wing of FIG. 31;

[0076] FIG. 33 depicts in an edge on view of FIG. 31 to rotatability of the membrane about the mast;

[0077] FIG. 34 depicts in a cross section view of wing FIG. 31 the membrane wrapped around a tube within which is disposed the mast, or root-to-wingtip spar;

[0078] FIG. 35 depicts another means of attachment where a separate piece of material is used to attach the tube to the membrane;

[0079] FIG. 36 depicts another means of attachment where the membrane edge has a t-shape portion when viewed edge on, and the t-shaped portion, or orthogonal edge surface, is inserted within the mast tube, and may be held in place by the mast element;

[0080] FIG. 37 depicts an exemplary airfoil having two battens and membrane fold-over portions;

[0081] FIG. 38 depicts an exemplary airfoil having two battens, membrane fold-over portions, and where the battens have membrane overlays;

[0082] FIG. 39 depicts the airfoil of FIG. 37 where the membrane material is a foam membrane;

[0083] FIG. 40 depicts an airfoil without battens and no membrane fold-overs;

[0084] FIG. 41 depicts an airfoil having two battens, membrane fold-overs and an arcuate cutout region between the mast sleeve and the root spar sleeve;

[0085] FIG. 42 depicts an angular airfoil of relatively reduced surface area;

[0086] FIG. 43 depicts an airfoil made of a foam membrane having two curving battens, and membrane fold-overs;

[0087] FIG. 44 depicts a fixture for making an airfoil;

[0088] FIG. 45 depicts a membrane blank having a filament grid fixed to a working surface;

[0089] FIG. 46 depicts the fixture of FIG. 44 positioned over the membrane blank;

[0090] FIG. 47 depicts a cut and fold-over step along the mast and root spar;

[0091] FIG. 48 depicts the battens applied to the surface of the membrane and a cut step for the remainder of the planform; and

[0092] FIG. 49 depicts a removal of an exemplary airfoil from the blank.

DETAILED DESCRIPTION

[0093] Embodiments of the present invention include radio-controlled, heavier-than-air, aircraft having flapping wings, e.g., ornithopters, where the vehicle orientation control is effected by variable differential sweep angles of deflection of the flappable wings in the course of sweep angles of travel, variable differential luffing of the wings, and/or variable and differential angular velocity of wing flapping. Embodiments of the air vehicle comprise two wings, or airfoils, having the principal functions of providing lift and generating control moments or torques about the air vehicle. Either of two such airfoils may be disposed on each side of the fuselage, or structural body, of the air vehicle. Each wing comprises a root-to-wingtip spar, or mast, having a proximal end proximate to the wing root, and a distal end proximate to the wingtip. Each wing comprises a root spar, or boom, proximate to the proximal end of the mast, and the boom may be oriented, fixedly rotationally, but otherwise substantially orthogonal to the mast. A lifting surface membrane element for each wing is attached to the respective mast and the boom, and the membrane and boom may rotate or pivot about the longitudinal axis of the mast. The wings may be driven by an onboard flapping drive element, e.g., at least one motor and mechanical movement so as to be flapped and their wingtips circumscribe arcs about the longitudinal axis of the air vehicle. If the boom is free to travel some angular amount about the mast, then the distal end of the boom and the trailing edge of the lifting surface tend to trail the motion of the mast and leading portion of the lifting surface during flapping strokes. The distal end of the boom may be variably restrained relative to the mast, thereby variably limiting the angular travel of the boom about the mast and/or varying the wing membrane slack, or luffing of the membrane. A thrust force may be generated via the airfoils, each airfoil's thrust having an instantaneous magnitude depending on the direction of mast flapping, i.e., a forward stroke or an backward stroke, the angle of each boom relative to its respective mast and/or the amount of luffing in the wing membrane and/or the angular velocity of the wing during the stroke.

[0094] FIG. 1 depicts an aircraft 100 having two airfoils 101, 102 a left (port) airfoil 101 and a right (starboard) airfoil 102, each attached to the aircraft structure 103, such as the fuselage, and where the flapping in the forward direction of the aircraft, where the wingtips of the airfoils generally circumscribe arcs 104, 105 in the horizontal plane about the aircraft 100 and, their respective extents of travel each define a sweep angle of travel.

[0095] FIG. 2A depicts an exemplary airfoil 200 having a leading portion 201 comprising a sleeve 202 for receiving a mast tube element and a sleeve 203 for receiving a boom tube element. The airfoil as depicted includes two stiffening elements, i.e., battens 204, 205, disposed on a surface membrane of the airfoil 200. FIG. 2B depicts the flexibility of the exemplary airfoil of FIG. 2A where the leading portion swings about a pivot point 210, and in a plane orthogonal to the root spar sleeve 203, to circumscribe a flapping angle 211. FIG. 2C depicts the flexibility of the exemplary airfoil of FIG. 2B where the leading portion 201 is further swung about a pivot point and the distal end of the boom establishes a sweep angle of deflection 220. The trailing edge 230 and distal portion of the root spar, or boom, tends to trail the leading portion 201,

and if boom travel is permitted but limited, the distal end of the boom and the boom sleeve 203 will trail by a sweep angle of deflection 231. Generally, the larger the sweep angle of deflection, the lower the thrust generated by the airfoil. If the boom is permitted to decrease its angle relative to the mast 232, then the airfoil membrane will experience increased luffing. Generally, the greater the luffing, the lower the thrust generated by the airfoil.

[0096] FIG. 3A depicts in a top view an aircraft 310 having a nose tip 311 oriented in the forward direction with its left airfoil 312 deflected, e.g., 20 degrees, an angle less than its right airfoil 313, e.g., 40 degrees, in a forward stroke 314, 315 of each of the wings 312, 313. Accordingly, the left wing generates more thrust upward than the right wing. FIG. 3B depicts in a top view the aircraft 310 having a nose tip oriented in the forward direction with its left airfoil 312 deflected, e.g., 20 degrees, an angle less than its right airfoil 313, e.g., 40 degrees in a backward stroke 324, 325 of the wings 312, 313. Accordingly, this generates a roll moment about (over the top of) the vehicle 310. FIG. 3C depicts in a top view of the aircraft 310 having a nose tip oriented in the forward direction with its left airfoil 312 deflected, e.g., 40 degrees, and angle more than its right airfoil 313, e.g., 20 degrees in a forward stroke 314, 315 of the wings 312, 313. Accordingly, the right wing 313 generates more thrust upward than the left wing 312. FIG. 3D depicts in a top view the aircraft 310 having a nose tip oriented in the forward direction with its left airfoil 312 deflected, e.g., 40 degrees, an angle more than its right airfoil 313, e.g., 20 degrees in a backward stroke 324, 325 of the wings 312, 313. Accordingly, this generates a roll moment about the vehicle 310 in the angular direction opposite that of FIG. 3B.

[0097] FIGS. 4A and 4B depict idealized instantaneous thrust vectors 410-413 and idealized average cumulative thrust vectors 420-423 for the left and right sides of a vehicle, such as in FIGS. 3A and 3B. Exemplary wing deflections are depicted for each wing at three positions in a stroke. Accordingly, the vehicle generates roll moment to effect a right roll, according to the right hand rule. FIGS. 4C and 4D depict idealized instantaneous thrust vectors 430-433 and idealized average cumulative thrust vectors 440-443 for the left and right sides of a vehicle such as in FIGS. 3C and 3D. Again, exemplary wing deflections are depicted for each wing at three positions in a stroke. Accordingly, the vehicle generates roll moment to effect a left roll, according to the right hand rule.

[0098] FIG. 5A depicts in a top view an aircraft 310 having a nose tip oriented in the forward direction with its left airfoil 312 deflected, e.g., 20 degrees, an angle less than its right airfoil 313, e.g., 40 degrees in a backward stroke 324, 325 of the wings 312, 313. Accordingly, the left wing 312 generates more thrust upward than the right wing 313. FIG. 5B depicts in a top view the aircraft 310 having a nose tip oriented in the forward direction with its left airfoil 312 deflected, e.g., 40 degrees, an angle more than its right airfoil 313, e.g., 20 degrees in a forward stroke 314, 315 of the wings 312, 313. Accordingly, this arrangement generates a yaw moment counterclockwise about the vehicle 310, i.e., a left yawing motion. FIG. 5C depicts in a top view the aircraft 310 having a nose tip oriented in the forward direction with its left airfoil 312 deflected, e.g., 40 degrees, an angle more than its right airfoil 313, e.g., 20 degrees in a backward stroke 324, 325 of the wings 312, 313. Accordingly, the right wing 313 generates more thrust upward than the left wing 312. FIG. 5D depicts in

a top view the aircraft having a nose tip oriented in the forward direction with its left airfoil **312** deflected, e.g., 20 degrees, an angle less than its right airfoil **313**, e.g., 40 degrees in a forward stroke **314**, **315** of the wings **312**, **313**. Accordingly, this generates a yaw moment about the vehicle **310** in the angular direction opposite that of FIG. **5B**, i.e., a right yawing moment.

[**0099**] FIG. **6A** depicts idealized average cumulative thrust vectors **610-611** for the left and right sides of a vehicle, such as in FIGS. **5A** and **5B**, where the left wing fore stroke has the left wing in a high angle of deflection, the left wing back stroke has the left wing in a low angle of deflection, while the right wing fore stroke has the right wing in a low angle of deflection and the right wing backstroke has the right wing in a high angle of deflection. Exemplary wing deflections are depicted for each wing at two positions in a stroke. Accordingly, in the plane of yaw rotation **640**, the horizontal components of the thrust vectors are projected—indicating the vehicle generates yaw moment to effect a counterclockwise or left yaw maneuver. FIG. **6B** depicts idealized average cumulative thrust vectors **650-651** for the left and right sides of a vehicle, such as in FIGS. **5C** and **5D**, where the left wing fore stroke has the left wing in a low angle of deflection, the left wing back stroke has the left wing in a high angle of deflection, while the right wing fore stroke has the right wing in a high angle of deflection and the right wing backstroke has the right wing in a low angle of deflection. Exemplary wing deflections are depicted for each wing at two positions in a stroke. Accordingly, in the plane of yaw rotation **640**, the horizontal components of the thrust vectors are projected—indicating the vehicle generates yaw moment to effect a clockwise or right yaw maneuver.

[**0100**] Pitching moment can be generated by changing the mass balance of the vehicle, differential throttling of the flapping motor or flapping motors, and/or cyclically changing the angles of deflections of the airfoils, i.e., cyclic pitch control. FIG. **7A** depicts in a top view an aircraft **310** having a nose tip oriented in the forward direction with its left airfoil **312** and its right airfoil **313** both deflected less in the beginning of a forward stroke (fore stroke) of the wings than the deflection at the end of the forward stroke which is depicted as larger in deflected angle, i.e., a larger sweep angle of deflection. The deflection grows larger as the wing sweeps forward. Accordingly, the wings each generate more thrust upward during the beginning of the forward stroke than at the end of the forward stroke. FIG. **7B** depicts in a top view an aircraft **310** having a nose tip oriented in the forward direction with its left airfoil **312** and its right airfoil **313** both deflected more in the beginning of a backward stroke (backstroke) of the wings than the deflection at the end of the backward stroke which is depicted as smaller in deflected angle, i.e., a smaller sweep angle of deflection. The deflection grows smaller as the wing sweeps backward. Accordingly, the wings each generate more thrust upward during the beginning of the backward stroke than at the end of the backward stroke. Accordingly, this cyclic pitch control generates a forward pitching moment, i.e., a pitching control authority about the vehicle in an angular direction that is nose downward. FIG. **7C** depicts in a top view an aircraft **310** having a nose tip oriented in the forward direction with its left airfoil **312** and its right airfoil **313** both deflected more in the beginning of a forward stroke (fore stroke) of the wings than the deflection at the end of the forward stroke—which is depicted as smaller in deflected angle, i.e., a smaller sweep angle of deflection. The deflection

grows smaller as the wing sweeps forward. Accordingly, the wings each generate less thrust upward during the beginning of the forward stroke than at the end of the forward stroke. FIG. **7D** depicts in a top view an aircraft **310** having a nose tip oriented in the forward direction with its left airfoil **312** and its right airfoil **313** both deflected less in the beginning of a backward stroke (backstroke) of the wings than the deflection at the end of the backward stroke which is depicted as larger in deflected angle, i.e., a larger sweep angle of deflection. The deflection grows larger as the wing sweeps backward. Accordingly, the wings each generate less thrust upward during the beginning of the backward stroke than at the end of the backward stroke. Accordingly, this cyclic pitch control generates a backward pitching moment, i.e., a pitching control authority about the vehicle in an angular direction that is nose upward.

[**0101**] FIGS. **8A** and **8B** depict idealized instantaneous thrust vectors **810-811**, **830-831** for the left and right sides of a vehicle such as in FIGS. **7A** and **7B** respectively, and an idealized average cumulative thrust vector **820**, **840** for the vehicle such as in FIGS. **7A** and **7B** respectively. Exemplary wing deflections are depicted for each wing at four positions in a stroke. Accordingly, the vehicle generates pitch moment to effect a forward (nose down) maneuver. FIGS. **8C** and **8D** depict idealized instantaneous thrust vectors **850-851**, **870-871** for the left and right sides of a vehicle such as in FIGS. **7C** and **7D** respectively, and an idealized average cumulative thrust vector **860**, **880** for the vehicle such as in FIGS. **7C** and **7D** respectively. Exemplary wing deflections are depicted for each wing at four positions in a stroke. Accordingly, the vehicle generates pitch moment to effect a backward (nose up) maneuver.

[**0102**] FIG. **9** depicts an exemplary flapping drive assembly **900** including a motor **910**, a gearing assembly **920**, a left arm **924** and a right arm **926** rotatably attached at a pin **928** of a drive gear **930**, where the pin is offset from the center of rotation of the drive gear **930**. When the drive gear is rotated **931**, the exemplary left rocker arm **924** and right rocker arm **926** are cyclically pushed and pulled, and thereby cause the left mast receiver **934** and the right mast receiver **932** to swing forward and backward.

[**0103**] FIG. **10A** depicts, for a flapping drive assembly, the disposition of a first capstan **1012** relative to the center of rotation of a rotating element **1010** that may be a gear. The second capstan (not shown in this view) is interposed between the first capstan **1012** and the rotating element **1010**, and both the first capstan **1012** and second capstan are mounted about a shaft **1001** that is offset from the center of rotation **1002** of a rotating element **1010**. FIG. **10B** depicts an exemplary flapping drive assembly and mechanism **1000** comprising: (a) a rotating element **1010** having a center of rotation and a plane of rotation; (b) a first capstan **1012** mounted about a shaft (not shown), the shaft attached to the rotating element **1010** distal from the center of rotation and substantially perpendicular to the plane of rotation; (c) a second capstan **1018** mounted about the shaft; (d) a first arm **1032** mounted to a third capstan **1022**, a first linking member **1020** connecting the third capstan **1022** with the first capstan **1012**; (e) a second arm **1030** mounted to a fourth capstan **1024**, a second linking member **1017** connecting the fourth capstan **1024** with the first capstan **1012**; and (f) a third linking member **1023** connecting the third capstan **1022** with the fourth capstan **1024**. In some embodiments of the mechanism, the third capstan **1022** of the mechanism may have a center of rotation, the fourth capstan

1024 may have a center of rotation, and the center of rotation of the rotating element **1010** may be substantially collinear with both the center of rotation of the third capstan **1022** and the center of rotation of the fourth capstan **1024**. In some embodiments of the mechanism, the first linking member **1020** may comprise a cord, the second linking member **1017** may comprise a cord, and the third linking member **1023** may comprise a cord. A left wing assembly **1028** is depicted engaging the first arm **1032** and a right wing assembly **1026** is depicted as engaging the second arm **1030**. Accordingly, a motor drives **1050** the offset capstans to effect flapping of the two wing assemblies.

[**0104**] FIG. 11A depicts in exploded view an exemplary wing **1100** having two curved battens **1111**, **1112**, where a mast element **1120** is inserted into a leading edge sleeve **1121** of a wing airfoil membrane **1101**. The sleeve **1121** may be formed by drawing the airfoil membrane back on itself and/or may include a tube for receiving the mast element—a tube about which the airfoil may be wrapped and fixed. Resilient washers **1122**, **1123** may be deposited at the proximal and distal portions of the mast element **1120** on each side of the leading edge sleeve **1121**. A root spar element **1130**, or boom element, is inserted into the root spar sleeve **1131** of the wing airfoil membrane **1101**. The boom sleeve **1131** may be formed by drawing the airfoil back on itself and/or may include a tube for receiving the mast element—a tube about which the airfoil may be wrapped and fixed. Resilient washers **1132**, **1133** may be deposited at the proximal and distal portions of the root spar element **1130** on each side of the boom sleeve **1131**. The mast element **1120** and boom element **1130** engage a corner element **1140**, or arm fitment, that is configured to be received by an arm socket element (not shown). FIG. 11B depicts an assembled exemplary wing **1100**. The membrane may be made of extruded polyethylene foam sheet, e.g., having $\frac{1}{32}$ inch thickness such as packing foam sheets. The battens **1111**, **1112**, mast element **1120**, boom element **1130**, and sleeve tubes **1121**, **1131** may be made of carbon filaments. The wing **1100** may further include a pocket made from overlapping the membrane proximate to the root spar, or boom, and interposing between the layers of membrane a layer of foam fabric. The foam fabric may damp vibrations and reduce acoustical effects of flapping.

[**0105**] FIG. 12 depicts an exemplary flapping drive assembly and mechanism **1200** comprising a left flapping drive assembly **1210** and a right flapping drive assembly **1220**, similar to combining a pair of the embodiments of FIG. 10B, where each right and left flapping drive assemblies has four capstans, but one arm for a wing assembly. The embodiment of FIG. 12 depicts a left wing assembly **1230** engaging the arm of a left portion **1211** of the flapping drive assembly **1200**, where the arm **1211** of the left assembly **1210** engages the third capstan **1212** of the left assembly **1210**. The embodiment of FIG. 12 also depicts a right wing assembly **1231** engaging the arm **1213** of the right assembly **1220**, where the arm **1213** of the right assembly **1220** engages the fourth capstan **1212** of the right assembly **1220**. In this exemplary embodiment, a processor such as a central processing unit (CPU), having load instructions, maintains synchronization between the left and right motor by monitoring inputs from wing position sensors **1240**, **1241**. Pitch control authority may be generated by differential front and rear engine throttling. Yaw control authority may be generated by differential forestroke and rearstroke throttling, and roll control authority may be generated by differential midstroke and endstroke

throttling, and done so with a wing-mounted spring, e.g., a luffing spring attached to the root spar, or boom. Accordingly, servos to adjust the angles of deflection of the wings are not required for this exemplary embodiment.

[**0106**] FIG. 13 depicts an exemplary assembly for limiting root spar, or boom, travel **1300**. Two servos **1310**, **1320** are used, each controlling by a string, or a cord, fed via eyelets **1370-1379**, and a pulley system **1330** the position of boom stops, **1360-1363**, to allow for differential deflection of each airfoil (not shown). Each boom stop is affixed to a rocker-like pulley element that may be in tension, and the drawing back on the string opens the angle between opposing boom stops. A pair of boom stops are disposed on each of the arms of the flapping assembly so that the boom stops rotate with the flapping arm to limit the travel of the proximal end of the boom. Accordingly, roll and yaw authority may be generated during mast flapping by the positioning of the boom stops. Aerodynamic forces tend to cause the boom to stop on the trailing boom stop of the stroke, i.e., the aftward boom stop during a forward stroke and the forward boom stop during a backward stroke. A handlebar-like structure **1380** may be added that may be rotated **1382**, via a pitch servo **1381**, to extend or retract, in conjunction with the mast flapping motion, the boom stops on each wing. The handlebar-like structure **1340**, **1350** may be used to generate pitch authority during flapping by continually repositioning the boom stops during strokes. FIG. 14A depicts in a side view the exemplary assembly **1400** of FIG. 13 where the pair of strings or cords **1410**, **1412** are shown threaded through an eyelet **1414** at end of an arm of the handlebar-like structure **1416**. The servo shown may be disposed proximate to the flapping motor and the flapping drive assembly. A boom stop **1363** may be mounted on a pulley element that itself is mounted in tension to a support structure. FIG. 14B depicts a rotation **1430** of the handlebar element **1416** by the pitch servo **1318** causing the strings to allow the boom stops **1363**, **1362** to retract, for a particular portion of the stroke. That is, the strings would draw on the boom stop pulleys as the mast rotates (out of the page in this illustration). FIG. 14C depicts a rotation **1431** of the handle bar element by the pitch servo **1318** causing the strings to draw on the boom stops **1362**, **1363** to extend the angle between each for a particular portion of the stroke.

[**0107**] In a view orthogonal to the plane of a mast and root spar, or boom, FIG. 15A depicts the motion of a string **1510** to rotate the position of a first boom stop **1520** by rotating a first pulley element (obstructed in this view by a second pulley element **1530**) about a pivot point on a support structure. Also depicted in FIG. 15A is a second string **1511** that does not move in this example, leaving the second boom stop **1521** in a stationary position—at this position in a stroke—as the tension in the string balances the tension in the mounted second pulley element **1530**. FIG. 15B depicts in a bottom up view of FIG. 13 where the boom stops **1360-1363** are extended to a relatively high deflecting angle of the boom. FIG. 15C depicts the bottom up view of FIG. 13 where the flapping motion of the arms has caused the wings to change relative angles in the stroke, and that the boom stop **1360-1363** remain extended as the same angle as in FIG. 15B. That is, the pitch actuator may be at a neutral position so as to not affect the deflection angle during a stroke of the exemplary embodiment of FIG. 14A.

[**0108**] FIG. 16 depicts a wing assembly **1600** and the pair of pulley elements **1610**, **1612** for the boom stops **1614**, **1616**. With the application of the two strings, each that may be

under the control of a bi-directional servo (not shown), each pulley element may be placed in tension and each boom stop may be angularly positioned independent of the other. FIG. 17A depicts an example where each boom stop 1710, 1720 is positioned to allow a relatively large deflection angle for both the forward stroke and the backward stroke. With the stops opened wide, a flapping wing such as this has a relatively low angle of attack and generates relatively low thrust. In contrast, FIG. 17B depicts an example where each boom stop 1711, 1721 is positioned to allow a relatively small deflection angle for both the forward stroke and the backward stroke. With the stops open to a narrow position, a flapping wing such as this has a relatively high angle of attack and generates relatively high thrust with an accompanying relatively larger magnitude of downwash. FIGS. 18A-18C depict yaw control 1800 effected by modulating the boom stops left or right to generate a net yawing moment. FIG. 18A depicts stops 1810, 1812 in a neutral position as to the yaw channel. That is, a flapping arm would have the same boom angle of deflects in the forward stroke as in the backward stroke, i.e., the thrust vector would be aligned with the “upward” direction of the aircraft. FIG. 18B depicts stops 1814, 1816 biased to the right where the flapping of the wing and movement of the boom between the two stops—to one stop during the forward stroke and to the other stop during the rearward stroke—would generate a thrust vector having a right-oriented component. Accordingly, during flapping, the vehicle effecting stops biased to the right would execute a nose left command. FIG. 18C depicts stops 1818, 1820 biased to the left where the flapping of the wing and movement of the boom between the two stops—to one stop during the forward stroke and to the other stop during the rearward stroke—would generate a thrust vector having a left-oriented component. Accordingly, during flapping, the vehicle effecting stops biased to the left would execute a nose right command.

[0109] FIG. 19 depicts an alternate means of boom travel control 1900 where a cord or string is controlled by a servo (not shown) and fed, via eyelets 1911, 1912 on a yoke 1910, to the boom 1920, and fixed at a distal portion of the boom. FIGS. 20A and 20B depicts control of the orientation of the boom 2024 during flapping 2010, 2020, and the orientation of the boom 2024 may be effected by rotating the cord 2030 or string to position the boom for a backward stroke, as in FIG. 20A, and by rotating the cord 2022 or string to position the boom 2024 for a backward stroke. The positioned deflection angle may be effected during a stroke and thus may effect control authority for pitch (e.g., via cyclic modulation), yaw, and roll based on a continually changing servo position commands.

[0110] A structural element termed a yang may be attached to the wing-boom structure via a ball joint a multiple axis joint and may dispose generally parallel to the boom. The boom or the yang may engage a yoke and the luffing of the membrane can be affected by the motions of the yoke. FIG. 21A depicts a three-axis servo boom and/or yang assembly 2100 as another means of boom travel control where a boom (or yang) restraining yoke 2110 may increase or reduce luffing, i.e., the affects of the wing membrane slack, for both wings during a stroke to generate pitch control authority via a first servo and gearing assembly 2120; effect a differential amount of luff between the wings during a stroke to generate roll control authority via a second servo and gearing assembly 2130; and optionally effect a bias in boom travel via a third servo and gearing assembly 2140 to generate a luff differential for yaw

control. Accordingly, the assembly 2100 provides multiple axes of orientation for the yoke to the body of the aircraft to adjust wing membrane luff during strokes to effect three axes of control.

[0111] FIG. 21B depicts an exemplary aircraft having a flapping mechanism 2100 as described in FIG. 10B (1000), and the root spar, or boom, control mechanism as described in FIG. 21A (2100). In the embodiment of FIG. 21B, the boom 2161 of each wing 2160 engage the yoke 2110. Also depicted above the flapping mechanism are a power and processing module 2170. The vehicle may include an optional stand 2180. FIG. 22 depicts a portion of an exemplary aircraft 2200 having a flapping mechanism as described in FIG. 9 (900), and the root spar, or boom, control mechanism as described in FIG. 21A, where the root spars 2161, 2262 engage the yoke 2110. The FIG. 23 depict a portion of an exemplary aircraft 2300 having a flapping mechanism as described in FIG. 9 (900), and another embodiment of the root spar, or boom, control mechanism as described in FIG. 21A (2100), where the root spars 2161, 2262 engage the yoke 2110. FIG. 24A depicts the positionable yoke 2110 tilted toward the left airfoil 2410 and away from the right airfoil 2420. The masts of each wing remain in the flapping plane and so the luffing, or wing slack effect, of the left airfoil 2410 enhances as the membrane is looser than the right airfoil 2420, and accordingly the left airfoil 2410 generates less thrust than the right airfoil 2420. FIG. 24B depicts the gimbaled yoke tilted toward the left airfoil 2410 and away from the right airfoil 2420. The masts of each wing remain in the flapping plane and so the luffing of the right airfoil is more than the luffing of the left airfoil 2410, and accordingly the right airfoil 2420 generates less thrust than the left airfoil 2410. FIGS. 24A and 24B illustrate a roll control authority for this exemplary embodiment. The control gimbal having a yoke may directly move the trailing edge ends of the root spars to manipulate the luff in the wing.

[0112] FIG. 25A depicts a boom yang system 2500 where separate boom yang 2510 engages the yoke 2110 and provides structural support 2511 for a variable boom stop lever 2512. Decoupling yaw control from the pitch and roll control provided by the multiple axis yoke positing assembly may be accomplished by allowing the root spar 2520 to move freely between adjustable boom stops 2521, 2522, and having a yang 2510 or other structural element connect the movement of the yoke arms 2111, 2112 of the yoke 2110 with the orientation of the wing at a multiple-axis joint 2550. Accordingly, the roll control may be effected by the side tilt position of the yoke of a two-axis gimbal of servo assembly—similar to the assembly of FIG. 21A but without the yaw servo gear box, and the pitch control may be effected by the fore and aft tilt position of the yoke. A third (yaw) servo is used to control the orientation of the boom stops 2521, 2522 attached to a lever 2512 by pulling or releasing a lever, e.g., via a cable 2513. FIG. 25B depicts an embodiment of the lever 2512, that may be mounted to the yang structure 2511 in tension, and actuated via a cable 2513 attached to the boom yang structure 2511. FIG. 25C depicts the cable 2513 pulling the lever 2512 to shorten the boom 2590 travel distance of the boom stops. FIG. 25D depicts the cable 2513 releasing the lever 2512 to allow the travel distance of the boom 2590 to lengthen.

[0113] FIG. 26 is an exemplary top level block diagram of the control and propulsion system of an aircraft embodiment 2600. A central processing unit (CPU) 2602, having addressable memory and drawing from an onboard power supply

2608 comprising a battery, generates voltage commands to at least one drive motor, i.e., a thrust or flapping, motor **2610**. The commands may be pulse width modulated (PWM). A Hall sensor may be disposed at the crankshaft so that flapping frequency may be derived and provided to the CPU **2602**. In some embodiments there are three control servos **2612**, **2614**, **2616** and so, FIG. 26 depicts the CPU **2602** generating commands to a pitch bi-directional servo **2612**, a roll bi-directional servo **2614**, and a yaw bi-directional servo **2616**. Position sensors **2624**, **2626**, **2628** can feed back to the CPU **2602** each servo position **2612**, **2614**, **2616**. Angular rate measuring devices such as two, two-axis gyroscopes **2618**, **2620** may be used to provide yaw angular rate, pitch angular rate, and roll angular rate. The CPU **2602** may provide external command signals from a radio controller **2622** by an uplink and the CPU **2602** may provide status or other information via a downlink. Generally, the CPU **2602** may communicate with an external node via a transceiver. Electrical and/or electronic elements may be powered via an onboard power supply and/or local chemical battery elements **2608**.

[0114] FIG. 27 is a top level functional block diagram **2700** of a flapping frequency controller where the command flapping frequency, F_C , **2702** and the derived flapping frequency F_{est} **2704** are differenced to generate a flapping frequency error, ϵ **2706**. The flapping frequency error **2706** is integrated and multiplied by a gain, K_P , **2708** and the flapping frequency error **2706** is multiplied by a gain, K_P , **2710**. These two products are combined, along with the product of the flapping frequency multiplied by a gain, K_{FF} , **2712** to generate a command, e.g., a main motor voltage command, to the drive or thrust motor for flapping. The flapping frequency controller, along with gains or steps to generate gains, may be expressed in machine-readable language, stored in memory accessible by the aircraft processor, and executed to generate the flapping motor voltage commands.

[0115] FIG. 28 is an exemplary top level block diagram of a servo controller **2800** where a position command, d_C , **2802** is differenced from the measured position, d_{MEAS} , **2804** to generate a servo position error, d_e , **2806** and then the servo position error is multiplied by a servo gain K_S , **2808** to generate servo motor voltage command, u **2810**. Per servo channel, the servo controller **2800**, along with gains or steps to generate gains, may be expressed in machine-readable language, stored in memory accessible by the aircraft processor, and executed to servo motor voltage commands for one or more servos.

[0116] FIG. 29 is an exemplary top level block diagram of an angular rate controller **2900** that may be implemented for roll, pitch, or yaw rate control. A biased angular rate **2902** measurement may be generated by differencing the filtered gyro rate **2904** measurement and a gyro rate bias based on one or more gyro readings stored at throttle-up, i.e., before the wings start flapping. An angular error rate, e , **2906** may be generated by differencing the angular rate command and the biased angular rate **2902** measurement. The servo position command, δ_C , **2908** may be generated by combining the product of the angular rate command and a feed forward gain, K_{FF} , **2910** with the product of the angular error rate **2906** and a proportional rate gain, K_P , **2912**.

[0117] FIG. 30 is an exemplary top level block diagram of an angular rate controller **3000** that may be implemented for roll, pitch, or yaw rate control. A biased angular rate measurement **3002** may be generated by differencing the filtered gyro rate measurement **3004** and a gyro rate bias based on one

or more gyro readings stored at throttle-up, i.e., before the wings start flapping. A digital integrator may integrate over time the angular error rate, e , **3006**. An angular error rate, e , **3006** may be generated by differencing the angular rate command and the biased angular rate measurement. The servo position command, δ_C , **3008** may be generated by combining the product of the angular rate command and a feed forward gain, K_{FF} , **3010** with the product of the angular error rate and a proportional rate gain, K_P , **3012** and along with the product of the integrated angular error rate multiplied by a gain, K_I , **3014**.

[0118] FIG. 31 depicts an exemplary wing having mast, root spar and a membrane. having a mast fold-over portion **3100** and a root spar fold-over portion **3120**, and first batten **3130**. FIG. 32 depicts in cross sectional view the wing of FIG. 31 where a first batten **3130** is a rod-shaped filament disposed on the membrane surface, the second batten **3140** is parallel-epiped-shaped. FIG. 33 depicts in an edge on view of FIG. 31 depicting rotatability of the membrane about the mast. FIG. 34 depicts in a cross section view of wing FIG. 31 where the membrane **3103** wrapped around a **3400** tube within which is disposed the mast, or root-to-wingtip spar. The overlapping surfaces of the membrane may be joined in part by an epoxy or heat treatment. FIG. 35 depicts another means of attachment where a separate piece of material **3500**, that may be the same material as the membrane, is used to attach the tube **3400** to the membrane **3103**. FIG. 36 depicts another means of attachment where the membrane edge **3610** has a t-shape portion **3611** when viewed edge on, and the t-shaped portion, or orthogonal edge surface, is inserted within the mast tube **3620** along a slit, and may be held in place by pressure of the mast element of fixed via heat or epoxy. FIG. 37 depicts an exemplary airfoil having two battens a membrane fold-over portions. FIG. 38 depicts an exemplary airfoil having two battens and membrane fold-over portions, where the battens have membrane overlays, **3810**, **3811**. FIG. 39 depicts the airfoil of FIG. 37 having two battens **3710**, **3711** and two fold-over regions **3720**, **3721**, and where the membrane material is a foam membrane. FIG. 40 depicts an airfoil without battens and no membrane fold-overs. FIG. 41 depicts an airfoil having two battens, membrane fold-overs and an arcuate cutout region **4100** between the mast **4110** and the root spar **4120**. FIG. 42, depicts an angular airfoil planform of reduced surface area when compared with other examples, and without fold-over regions or battens. FIG. 43 depicts an airfoil made of a foam membrane having two curving battens **4310**, **4311**, and membrane fold-overs. FIG. 44 depicts a fixture **4400** for making an airfoil with the mast **4410** and root spar **4420** attached to the fixture **440**, and the tubes **4430** and **4440** available. FIG. 45 depicts a membrane blank **4500** having a filament grid fixed to a working surface. FIG. 46 depicts the fixture of FIG. 44 positioned over the membrane blank. FIG. 47 depicts a cutting of the membrane and fold-over step along the mast and root spar. FIG. 48 depicts the battens **5011**, **5012** applied to the surface of the membrane and a cut step for the remainder of the planform. FIG. 49 depicts a removal of an exemplary airfoil **5110** from the blank **4500**.

[0119] One of ordinary skill in the art will appreciate that the elements, components, steps, and functions described herein may be further subdivided, combined, and/or varied, and yet, still remain within the spirit of the embodiments of the invention. Accordingly, it should be understood that various features and aspects of the disclosed embodiments may be combined with, or substituted for one another in order to

form varying modes of the invention, as disclosed by example. It is intended that the scope of the present invention herein disclosed by examples should not be limited by the particular disclosed embodiments described above. Accordingly, the invention has been disclosed by way of example and not limitation, and reference should be made to the following claims to determine the scope of the present invention.

What is claimed is:

1. An air vehicle comprising:
 - a support structure comprising a flapping drive element, a first airfoil rotatably attached to the support structure and a second airfoil rotatably attached to the support structure,
 - the first airfoil comprising a first root spar and a first membrane attached to the first root spar, the first airfoil configured to be driven to flap via the flapping drive element, and the second airfoil comprising a second root spar and a second membrane attached to the second root spar, the second airfoil configured to be driven to flap via the flapping drive element, wherein air vehicle control about at least one axis of the vehicle is effected by at least one of: a variable membrane luffing; variable root spar rotation travel limitation; and variable flapping angular velocity of the flapping drive element.
2. The air vehicle of claim 1 wherein the flapping drive element comprises:
 - a rotating element having a center of rotation and a plane of rotation;
 - a first capstan mounted about a shaft, the shaft attached to the rotating element distal from the center of rotation and substantially perpendicular to the plane of rotation;
 - a first rocker member rotatably attached to a support structure;
 - a first drive link rotatably attached to the first capstan and the first rocker member;
 - a first arm rotatably attached to the support structure and rotatably attached to the first rocker member via a first rocker link;
 - a second capstan mounted about the shaft;
 - a second rocker member rotatably attached to the support structure;
 - a second drive link rotatably attached to the second capstan and the second rocker member; and
 - a second arm rotatably attached to the support structure and rotatably attached to the second rocker member via a second rocker link.
3. The air vehicle of claim 2 wherein the rotating element is rotatably attached to the support structure.
4. The air vehicle of claim 1 wherein the flapping drive element comprises:
 - a rotating element having a center of rotation and a plane of rotation;
 - a first capstan mounted about a shaft, the shaft attached to the rotating element distal from the center of rotation and substantially perpendicular to the plane of rotation;
 - a second capstan mounted about the shaft;
 - a first arm mounted to a third capstan, a first linking member connecting the third capstan with the first capstan;
 - a second arm mounted to a fourth capstan, a second linking member connecting the fourth capstan with the second capstan; and
 - a third linking member connecting the third capstan with the fourth capstan.
5. The air vehicle of claim 4 wherein the third capstan has a center of rotation, the fourth capstan has a center of rotation, and the center of rotation of the rotating element is collinear with the center of rotation of the third capstan and the center of rotation of the fourth capstan.
6. The air vehicle of claim 5 wherein the first linking member comprises a cord, the second linking member comprises a cord, and the third linking member comprises a cord.
7. The air vehicle of claim 1 wherein the flapping drive element comprises:
 - a first motor driving a first rotating element, the first rotating element having a center of rotation and a plane of rotation;
 - a first capstan mounted about a shaft, the shaft attached to the rotating element distal from the center of rotation and substantially perpendicular to the plane of rotation;
 - a second capstan mounted about the shaft;
 - a first arm mounted to a third capstan, a first linking member connecting the third capstan with the first capstan;
 - a second linking member connecting the fourth capstan with the second capstan; and
 - a third linking member connecting the third capstan with the fourth capstan;
 - a second motor driving a second rotating element, the second rotating element having a center of rotation and a plane of rotation;
 - a fifth capstan mounted about a second shaft, the second shaft attached to the second rotating element distal from the center of rotation and substantially perpendicular to the plane of rotation of the second rotating element;
 - a sixth capstan mounted about the second shaft;
 - a fourth linking member connecting the seventh capstan with the fifth capstan;
 - a second arm mounted to an eighth capstan, a fifth linking member connecting the eighth capstan with the sixth capstan; and
 - a sixth linking member connecting the seventh capstan with the eighth capstan;
 - and circuitry controlling a flapping rate of the first motor and the second motor.
8. The air vehicle of claim 1 wherein the vehicle is configured to effect air vehicle control via a vehicle control assembly comprising:
 - a first flappable wing having a sweep angle of travel, wherein the first flappable wing comprises a membrane attached to a root spar and a mast, the membrane having surface tension adjustable via rotation of the root spar relative to the mast;
 - a second flappable wing having a sweep angle of travel, wherein the second flappable wing comprises a second membrane attached to a second root spar and a second mast, the membrane having surface tension adjustable via rotation of the second root spar relative to the second mast;
 - wherein the first flappable wing extends in a radial direction from the air vehicle and the second flappable wing extends in a radial direction from a side of the air vehicle substantially opposite the first flappable wing; and
 - wherein the vehicle control assembly is configured to generate at least one of: a pitching torque, a rolling torque and a yawing torque, by generating a difference between the luffing of the first flappable wing and the luffing of the second flappable wing.

9. The air vehicle of claim 8 wherein the first flappable wing further comprises a sweep angle of deflection comprising a forward sweep angle of deflection and a backward sweep angle of deflection; wherein a second flappable wing further comprising a sweep angle of deflection comprising a forward sweep angle of deflection and a backward sweep angle of deflection; and wherein the vehicle control assembly is further configured to generate a yawing torque, by at least one of: a difference between the forward sweep angle of deflection of the first flappable wing and the forward sweep angle of deflection of the second flappable wing, and a difference between the backward sweep angle of deflection of the first flappable wing and the backward sweep angle of deflection of the second flappable wing.

10. The air vehicle of claim 1 wherein the vehicle is configured to effect air vehicle control via a vehicle control assembly comprising a luffing control assembly wherein the first root spar is attached to the luffing control assembly; and the second root spar is attached to the luffing control assembly.

11. The air vehicle of claim 10 wherein the luff control assembly comprises a first yank attached to the first root spar, a second yank attached to the second root spar, a repositionable yank yoke configured to receive the first yank and the second yank.

12. The air vehicle of claim 11 wherein the first arm further comprises a first repositionable stop and a second repositionable stop together defining a rotation angle of the first wing root spar about the first wing mast; and wherein the second arm further comprises a third repositionable stop and a fourth repositionable stop, the third repositionable stop and a fourth repositionable stop together defining a second rotation angle of the second wing root spar about the second wing mast.

13. The air vehicle of claim 12 wherein the first stop is disposed on a first pulley and the second stop is disposed on a second pulley, the first pulley and the second pulley each rotatably repositionable via an actuated linking member and the third stop and fourth stop each rotatably repositionable via a second actuated linking member.

14. The air vehicle of claim 13 wherein the first stop is disposed on a first pulley and the second stop disposed on a second pulley, the first pulley and the second pulley each rotatably repositionable via an actuated linking member to increase a first angle subtended by the first stop and the second stop, and the third stop and fourth stop each rotatably repositionable via a second actuated linking member to increase a second angle subtended by the third stop and the fourth stop.

15. A method of vehicle control comprising:

providing a control assembly comprising:

a first flappable wing having a sweep angle of travel, and having a sweep angle of deflection comprising a forward sweep angle of deflection and a backward sweep angle of deflection;

a second flappable wing having a sweep angle of travel, and having a sweep angle of deflection comprising a forward sweep angle of deflection and a backward sweep angle of deflection;

wherein the first flappable wing extends in a radial direction from the air vehicle and the second flappable wing extends in a radial direction from a side of the air vehicle substantially opposite the first flappable wing; and

generating at least one of: a rolling torque and a yawing torque, by generating at least one of: a difference

between the forward sweep angle of deflection of the first flappable wing and the forward sweep angle of deflection of the second flappable wing, and a difference between the backward sweep angle of deflection of the first flappable wing and the backward sweep angle of deflection of the second flappable wing.

16. The method of air vehicle control of claim 15 further comprising:

generating a pitching torque by changing the forward angle of deflection of the first flappable wing based on its sweep angle and by changing the forward angle of deflection of the second flappable wing based on its sweep angle.

17. The method of air vehicle control of claim 15 further comprising:

generating a pitching torque by changing the backward angle of deflection of the first flappable wing based on its sweep angle and by changing the backward angle of deflection of the second flappable wing based on its sweep angle.

18. A method of air vehicle control comprising:

providing a control assembly comprising:

a first flappable wing having a sweep angle of travel, wherein the first flappable wing comprises a membrane attached to a root spar and a mast, the membrane having surface tension adjustable via rotation of the root spar relative to the mast;

a second flappable wing having a sweep angle of travel, wherein the second flappable wing comprises a second membrane attached to a second root spar and a second mast, the membrane having surface tension adjustable via rotation of the second root spar relative to the second mast;

wherein the first flappable wing extends in a radial direction from the air vehicle and the second flappable wing extends in a radial direction from a side of the air vehicle substantially opposite the first flappable wing; and

generating at least one of: a pitching torque, a rolling torque and a yawing torque, by generating a difference between the luffing of the first flappable wing and the luffing of the second flappable wing.

19. A method of air vehicle control of claim 18:

wherein the first flappable wing further comprises a sweep angle of deflection comprising a forward sweep angle of deflection and a backward sweep angle of deflection; and

wherein a second flappable wing further comprising a sweep angle of deflection comprising a forward sweep angle of deflection and a backward sweep angle of deflection; and, the method further comprises:

generating a yawing torque, by generating at least one of: a difference between the forward sweep angle of deflection of the first flappable wing and the forward sweep angle of deflection of the second flappable wing, and a difference between the backward sweep angle of deflection of the first flappable wing and the backward sweep angle of deflection of the second flappable wing.

20. A wing comprising

a mast engaging a fitment;

a spar engaging a fitment substantially perpendicular to the mast;

a mast tube disposed about a portion of the mast;

a spar tube disposed about a portion of the spar;

a scrim attached to the spar tube and the mast tube; and a first batten disposed on the scrim and extending in a direction radially from the intersection of the spar and the mast, the first batten having a distal end proximate to an edge of the airfoil.

21. The wing of claim **20** further comprising a second batten disposed on the scrim and extending in a direction radially from the intersection of the spar and the mast, the second batten having a distal end proximate to an edge of the airfoil.

22. The wing of claim **20** further comprising a root socket configured to fixedly receive the spar and configured to rotatably receive the mast.

23. The wing of claim **20** wherein a planform of the wing is defined by perimeter points comprising: the distal end of the

first batten, a distal end portion of the mast, a distal end portion of the spar, a proximal end portion of the mast, and a proximal end portion of the spar.

24. The wing of claim **20** wherein the scrim comprises a polyvinyl fluoride film.

25. The wing of claim **20** wherein the scrim comprises a polyvinyl fluoride film further comprising a fiber mesh.

26. The wing of claim **20** wherein the scrim comprising fiber mesh comprises intersecting lines of fiber mesh, the lines of fiber mesh oriented at oblique angles relative to the spar tube and relative to the mast tube.

27. The wing of claim **20** wherein the mast comprises a carbon rod and the first batten comprises a carbon rod.

* * * * *