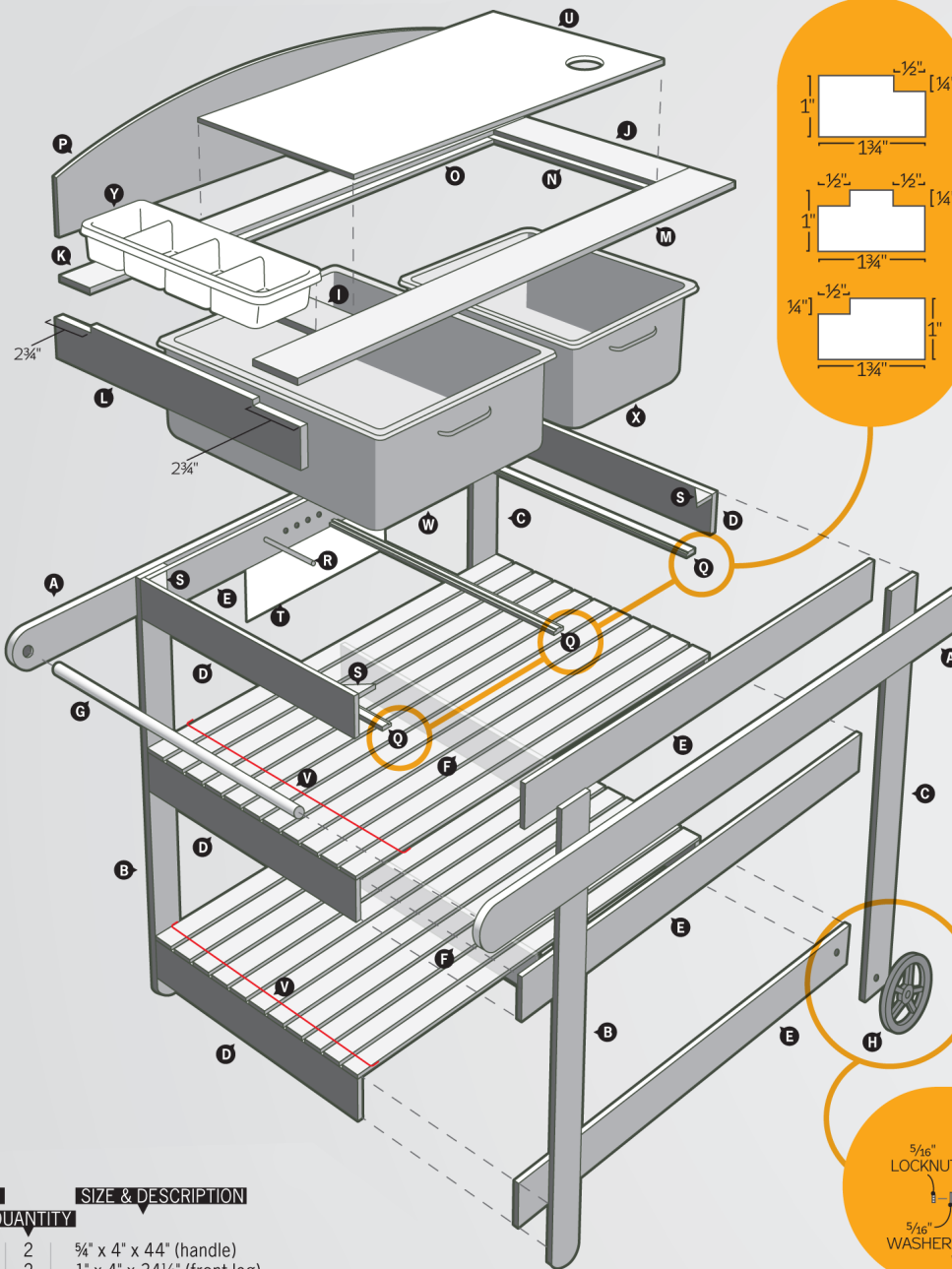


COOKOUT ON A ROLL

The **PM cookout prep station** is all about efficiency—in use and construction. Most of the cart is simply 1 x 4 lumber. In other cases it's dimensional softwood, such as a 1 x 6, that's ripped to width. It's a great project for an ambitious beginner.



PART	QUANTITY	SIZE & DESCRIPTION
A	2	5/4" x 4" x 44" (handle)
B	2	1" x 4" x 34 1/2" (front leg)
C	2	1" x 4" x 32" (rear leg)
D	6	1" x 4" x 22" (frame end)
E	6	1" x 4" x 30 1/2" (frame side)
F	2	1" x 4" x 20 1/2" (frame, stretcher)
G	1	3/4" dia. x 24 1/4" (steel handle)
H	2	8" dia. (cart wheel)
I	1	1" x 4" x 17 1/8" (top, center) (actual width is 4"; rip from 1 x 6)
J	1	1" x 4 1/2" x 17 1/8" (top, end) (rip from 1 x 6)
K	1	1" x 3" x 37 1/4" (top, back) (rip from 1 x 4)
L	1	1" x 4" x 23 1/2" (top, stretcher)
M	1	1" x 4 1/4" x 37 1/4" (top, front) (rip from 1 x 6)
N	2	1" x 1 3/4" x 20 1/2" (top, cleat) (rip from scrap or 1 x 4)
O	2	1" x 1 3/4" x 22 1/4" (top, cleat) (rip from scrap or 1 x 4)

PART	QUANTITY	SIZE & DESCRIPTION
P	1	1" x 6 1/4" x 37 1/4" (backsplash) (cut from 1 x 8)
Q	3	5/4" x 1 3/4" x 22" (pan runners)
R	6	3/8" x 2 1/2" (dowels)
S	4	1" x 2 1/4" x 2 1/4" (corner block)
T	2	1/8" x 8" x 14" (knife shield)
U	1	3/4" x 17 3/4" x 23 3/4" (cutting board)
V	22	3/8" x 1 1/2" x 31 1/8" (shelf slats)
W	1	6" x 12 3/4" x 21" (large pan)
X	1	6" x 10 1/2" x 12" (small pan)
Y	1	3" x 5" x 18 3/4" (condiment tray)

