



**Interactive  
3D Model**

**3D Workshop  
Hints + Tips**

Rotate




Pan



Zoom



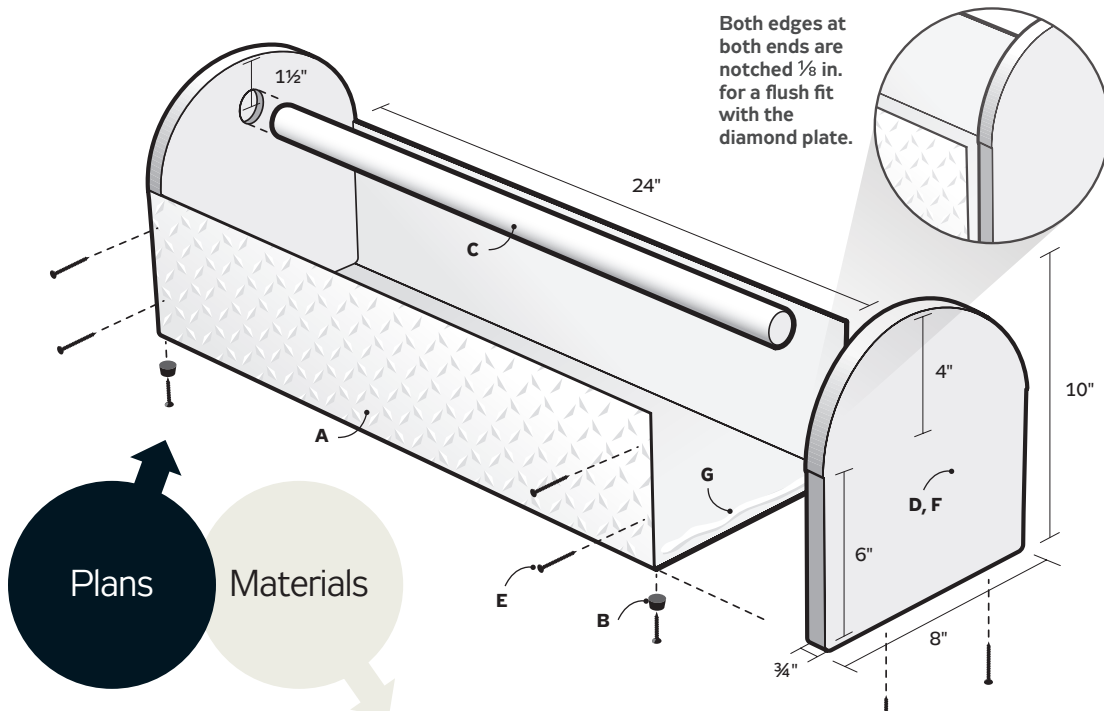
Click  to watch an animation of assembly and disassembly

Click  to change the look of the model

**Model made in Alibre Design**

[Click here to learn more](#)





Both edges at both ends are notched  $\frac{1}{8}$  in. for a flush fit with the diamond plate.

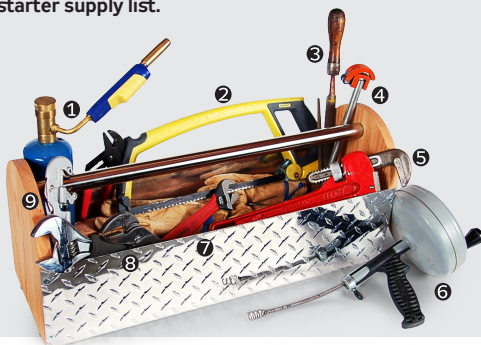
Key	No.	Size and Description (Use)
A	1	24 x 20-in., 0.08-in. aluminum diamond plate
B	4	Rubber bumpers (feet)
C	1	$\frac{3}{4}$ -in.-dia x 23 $\frac{1}{4}$ -in. steel pipe (handle)
D	2	$\frac{3}{4}$ x 8 x 10-in. oak (sides, cut from 1 x 12)
E	12	No. 10, 1-in. Phillips screws (for sides, bottom)
F	1	Pint Watco Natural Danish Oil
G	1	Tube silicone adhesive

**Where to Buy**  
 24 x 24-in. aluminum plate, [quickshipmetals.com](http://quickshipmetals.com)  
 Shepherd Hardware Products, item 9644  
 Nickel downrod extension, 24 in. long  
 .  
 .  
 .

**Specialty Tools:** Sheetmetal brake (\$50) from [tunerschoice.com](http://tunerschoice.com); metal-cutting blade from [dynamicsaw.com](http://dynamicsaw.com); 1-in. Forstner bit, countersink bit from [rockler.com](http://rockler.com).

### PUTTING IT TO USE

The toolbox can be used for anything, but we vote for a plumbing kit. It's about the right size, and the aluminum will stand up to damp duty. Here's a starter supply list.



**1. Torch** To sweat copper fittings, opt for a propane self-igniting tip.

**2. Hacksaw** Cuts pipe, hardware, screws, nuts, bolts and PVC.

**3. Metal File** Smooths edges, removes burrs on cut pipe.

**4. Basin Wrench** Use the long

shaft and swiveling jaw to torque nuts under the sink.

**5. Pipe Wrench** It lets you get a grip on pipes, nuts and fittings.

**6. Hand Auger** Flex a 25-ft cable to clear clogged tub and sink drains.

**7. Adjustable Wrench** Shifts

its span to fit all sizes of nuts and bolts.

**8. Tongue-and-Groove Pliers** The tool of choice to grab, pull, twist, hold, tighten or loosen.

**9. Tubing Cutter** Quickest, cleanest way to cut copper pipe. A mini model works in tight spaces.